



**DISPLAY STANDS
& ACCESSORIES**



Where to find us:

This brochure brings together a selection of Acrylic Display Aids and Accessories. We are also able to offer in house Design Solutions coupled with a first class bespoke service.

We hope you will find this brochure most useful as a reference guide for acrylic displays and products supplied by Acrylic Design.

Our Internet Site www.acrylicdesign.co.uk has up-to-date details of all of the products and services we offer. Please feel free to register your email address at info@acrylicdesign.co.uk. This will enable us to inform you of our latest information and any special offers we may have.

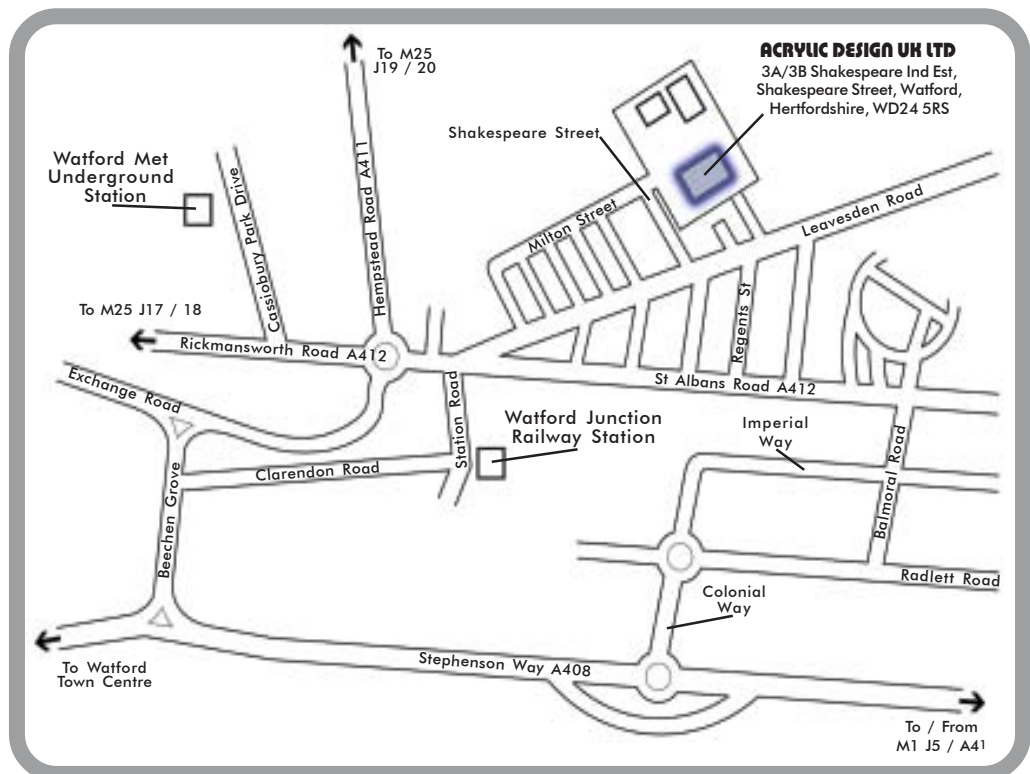
Below is a location map of our Watford showroom where you are more than welcome to visit and can purchase any of the listed items.

Manufacturing facilities include:

- Diamond polishing
- Laser cutting
- CNC routing
- Aqua moulding
- Vacuum forming

Sign services:

- Laser engraving
- Vinyl letter cutting
- Silk screen printing
- Acrylic letters
- Vinyl logos



CONTENTS

- 2: WHERE TO FIND US
- 4: SLOPING CUP & SAUCER STAND
- 4: UPRIGHT CUP & SAUCER STAND
- 5: SALVER STANDS
- 5: PLATE STANDS
- 6: ADJUSTABLE DISPLAY STANDS
- 6: WALL FIX DISPLAY
- 7: SAUCER DISPLAY STAND
- 7: BOWL DISPLAY STANDS
- 8: SPOON DISPLAY STAND
- 8: PAPER WEIGHT STANDS
- 8: SAUCER DISPLAY STAND
- 9: INRO STANDS
- 9: 5 SIDED DISPLAY CUBES
- 9: PAPER WEIGHT DISPLAY STAND
- 10: DISPLAY BRIDGES
- 11: 2 TIER SMALL DISPLAY STEP UNIT
- 11: 3 TIER SMALL DISPLAY STEP UNIT
- 12: PEN/POLE SUPPORT UNIT
- 12: QUAD DISPLAY TABLE COMPONENTS
- 13: SOLID ACRYLIC EASELS
- 13: FREE STANDING LEAFLET HOLDER
- 13: DISPLAY BRIDGE WITH HOLE
- 14: FREE STANDING TICKET HOLDER
- 15: FACE FIXING TICKET HOLDERS
- 16: MULTI 3 TIER LEAFLET HOLDER
- 16: STACKING BUSINESS CARD HOLDER
- 16: FACE FIX LEAFLET HOLDERS
- 17: CARD/MINI TICKET SUPPORT BLOCKS
- 17: CUT TO SIZE SHEET POLISHED EDGES
- 17: FREE STANDING BUSINESS CARD HOLDER
- 18: TRIANGULAR ROD CUT AND POLISHED
- 19: ROUND ROD CUT AND POLISHED
- 19: SQUARE ROD CUT AND POLISHED
- 20: WATCH STAND
- 20: ROD SETS
- 21: POLISHED ACRYLIC TUBE
- 21: CORNER SHELF UNIT
- 21: SHELF SUPPORT RADIUS FRONT
- 22: SHELF SUPPORT SQUARE FRONT
- 22: WATCH STAND-BLACK BASE
- 22: EARRING STANDS
- 23: EARRING DISPLAY STAND
- 23: VERTICAL WATCH/BRACELET STAND
- 23: HORIZONTAL WATCH/BRACELET STAND
- 23: MOULDED CHAIN STAND
- 24: EARRING DISPLAY STAND
- 24: BANGLE DISPLAY STAND
- 24: BROOCH STAND
- 24: ADJUSTABLE WALL FIXING PLATE STAND
- 25: NECKLACE/CHAIN STAND
- 25: BASE POLE DISPLAYS
- 25: SWORD/ARROW DISPLAY STAND
- 26: SUPPORT STANDS
- 26: TENT SUPPORTS
- 26: V SUPPORTS
- 26: SLOPING SUPPORT STANDS
- 27: "PLEASE DO NOT TOUCH" SIGN
- 27: U SUPPORTS
- 27: DISPLAY CABINETS
- 27: "NO SMOKING" SIGN
- 28: FREE STANDING INJECTION MOULDED LEAFLET HOLDER
- 28: INJECTION MOULDED WALL FIXING LEAFLET HOLDER
- 28: BUSINESS CARD HOLDER FREESTANDING
- 28: BUSINESS CARD HOLDER
- 29: MULTI BUSINESS CARD HOLDER
- 29: DOUBLE LEAFLET HOLDER
- 29: MULTI TIER LEAFLET HOLDER
- 30: FREE STANDING REVOLVING CAROUSEL LEAFLET HOLDERS
- 30: INDIVIDUAL CAROUSEL POCKETS
- 30: DESKTOP REVOLVING CAROUSEL LEAFLET HOLDERS
- 31: CIRCULAR SINGLE RING BLOCKS
- 31: CIRCULAR RING BLOCKS
- 32: SQUARE RING BLOCKS
- 32: SQUARE SINGLE RING BLOCKS
- 33: TRIANGULAR SINGLE RING BLOCKS
- 33: TABLE TOP CARD RACKS
- 34: SILVER MIRROR STEP UNIT
- 34: PICTURE EASELS
- 35: DISPLAY SUPPORTS
- 36: BUMP ON FEET
- 37: ADJUSTABLE CLIPS
- 38: ADJUSTABLE CLIPS
- 39: ADJUSTABLE CLIPS
- 40: CLEAR ACRYLIC DOMES WITH FLANGES
- 40: DOUBLE SIDED FOAM TAPE
- 40: LAZY SUE
- 41: CLEAR DOUBLE SIDED TAPE
- 41: CLEAR TAPE
- 41: WHITE FRAGILE TAPE
- 41: BROWN TAPE
- 42: MASKING TAPE
- 42: DOUBLE SIDED CLOTH TAPE
- 42: SELF ADHESIVE VELCRO TAPE
- 42: SELF ADHESIVE VELCRO DOTS
- 43: BUBBLE WRAP ROLL
- 43: CLEAR POLYTHENE BAGS
- 43: GRIP SEAL POLYTHENE BAGS
- 44: RUBBER SUCKER
- 45: RUBBER SUCKER
- 46: ACRYLIC ADHESIVE
- 46: ANTI-STATIC CLEANING FLUID
- 46: CLEANING WIPES
- 48: CABLE DISPLAY FIXING
- 49: CABLE DISPLAY FIXING
- 50: PANEL SPACERS
- 51: WINDOW DISPLAY BOARDS
- 52: ENGRAVING
- 52: DIFFERENT TYPES OF SIGNAGE
- 53: TECHNICAL INFORMATION AND CONVERSION TABLE
- 54: NOTES
- 55: CONDITIONS OF SALE

PLEASE NOTE ALL SIZES ARE GIVEN AS A GUIDE TOLERANCE +/- 10% ON THICKNESS OF MATERIAL.



SLOPING CUP & SAUCER STAND: AD00060s

Type:	Size:
	A / Height of back support
AD 00060-01	122mm (4¾")



AD 000064s UPRIGHT CUP & SAUCER STAND

UPRIGHT CUP & SAUCER STAND: AD00064s

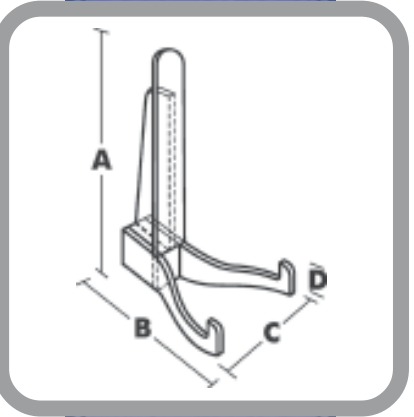
Type:	Size:
	A / Height of back support
AD 00064-01	122mm (4¾")
AD 00064-02	140mm (5½")
AD 00064-03	190mm (7½")





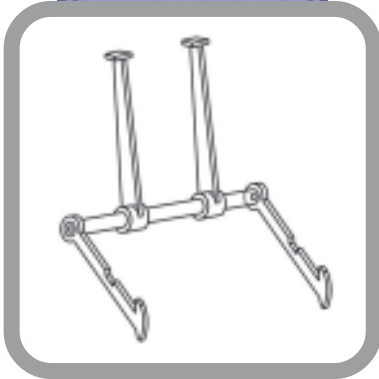
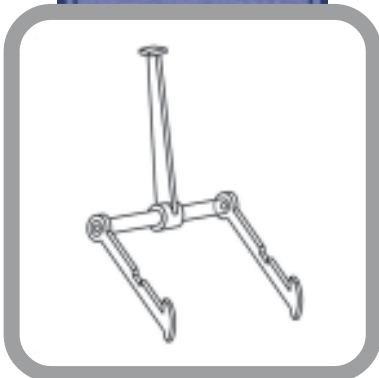
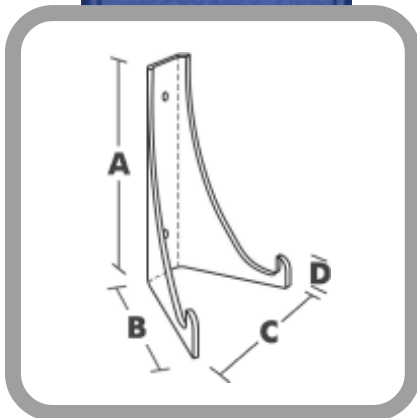
PLATE STANDS: AD00062s

Type:	Size:				
	A / Height of back support	B / Depth of stand	C / Span of feet	D / Height of foot	Recommended for supporting plates
AD 00062-01	127mm (5")	89mm (3½")	70mm (2¾")	19mm (¾")	203mm-229mm (8"-9")
AD 00062-02	165mm (6½")	102mm (4")	83mm (3¾")	19mm (¾")	254mm-279mm (10"-11")
AD 00062-03	165mm (6½")	108mm (4¼")	102mm (4")	19mm (¾")	254mm-279mm (10"-11")
AD 00062-04	216mm (8½")	108mm (4¼")	102mm (4")	19mm (¾")	305mm-381mm (12"-15")
AD 00062-05	267mm (10½")	127mm (5")	102mm (4")	19mm (¾")	406mm-457mm (16"-18")
AD 00062-06	305mm (12")	127mm (5")	102mm (4")	19mm (¾")	483mm-610mm (19"-24")
AD 00062-SP	A	B	C	D	Customer to advise Constructed to suit size & design of display stand.



SALVER STANDS: AD00059s

Type:	Size:				
	A / Height of back support	B / Depth of stand	C / Span of feet	D / Height of foot	Recommended for supporting plates
AD 00059-01	152mm (6")	102mm (4")	70mm (2¾")	32mm (1¼")	203mm-229mm (8"-9")
AD 00059-02	203mm (8")	108mm (4¼")	102mm (4")	44mm (1¾")	254mm-279mm (10"-11")
AD 00059-03	261mm (10¼")	127mm (5")	102mm (4")	44mm (1¾")	254mm-279mm (12"-15")
AD 00059-04	305mm (12")	127mm (5")	102mm (4")	44mm (1¾")	406mm-457mm (16"-18")
AD 00059-05	305mm (12")	191mm (7½")	140mm (5½")	44mm (1¾")	483mm-610mm (19"-24")
AD 00059-06	400mm (15¾")	191mm (7½")	140mm (5½")	32mm (1¼")	610mm + (24" +)
AD 00059-SP	A	B	C	D	Customer to advise Constructed to suit size & design of display stand.



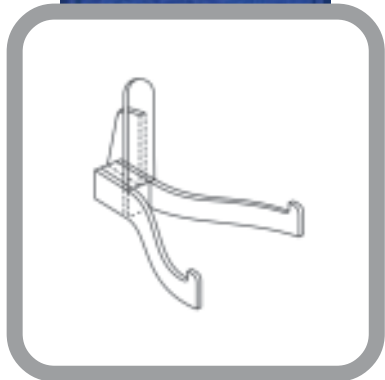
WALL FIX DISPLAY: AD00070s

Type:	Size:				
	A / Height of back support	B / Depth of stand	C / Span of feet	D / Height of foot	Recommended for supporting plates
AD 00070-01	127mm (5")	89mm (3½")	70mm (2¾")	25mm (1")	203mm-229mm (8"-9")
AD 00070-02	165mm (6½")	89mm (3½")	95mm (3¾")	25mm (1")	254mm-279mm (10"-11")
AD 00070-03	203mm (8")	108mm (4¼")	127mm (5")	25mm (1")	254mm-279mm (12"-15")
AD 00070-04	254mm (10")	114mm (4¼")	127mm (5")	25mm (1")	406mm-457mm (16"-18")
AD 00070-05	305mm (12")	178mm (7")	140mm (5½")	44mm (1¾")	483mm-610mm (19"-24")
AD 00070-06	406mm (16")	190mm (7½")	140mm (5½")	44mm (1¾")	610mm + (24" +)

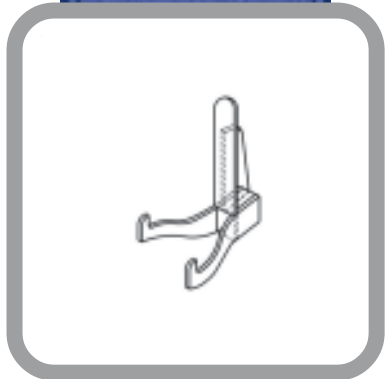
ADJUSTABLE DISPLAY STANDS: AD00080s

Type:	Size:	
	A / Height of back support	
AD 00080-01	76mm (3")	Single Display Arm
AD 00080-02	102mm (4")	Single Display Arm
AD 00080-03	152mm (6")	Single Display Arm
AD 00080-04	102mm (4")	Double Display Arm
AD 00080-05	152mm (6")	Double Display Arm

BOWL DISPLAY STANDS: AD00063s					
Type:	Size:				
	A / Height of back support	B / Depth of stand	C / Span of feet	D / Height of foot	Recommended for supporting
AD 00063-01	76mm (3")	152mm (6")	83mm (3¼")	32mm (1¼")	Small Bowl Stand
AD 00063-02	173mm (6¾")	190mm (7½")	140mm (5½")	44mm (1¾")	Large Bowl Stand



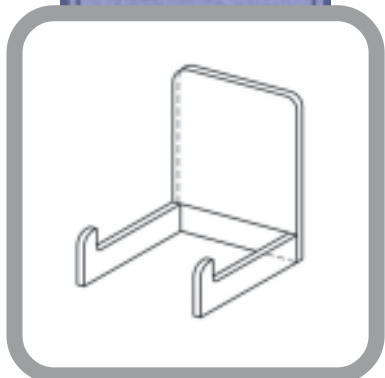
SAUCER DISPLAY STAND: AD00061s	
Type:	Size:
	Dimensions
AD 00061-01	76mm High x 83mm Deep x 51mm Wide (3" High x 3¼" Deep x 2" Wide)



SAUCER DISPLAY STAND: AD00061s	
Type:	Size:
	Dimensions
AD 00061-02	44mm High x 44mm Deep x 25mm Wide (1¾" High x 1¾" Deep x 1" Wide)



SAUCER DISPLAY STAND: AD00061s	
Type:	Size:
	Dimensions
AD 00061-03	51mm High x 44mm Deep x 38mm Wide (2" High x 1¾" Deep x 1½" Wide)





SAUCER DISPLAY STAND: AD00061s

Type:	Size:
	Dimensions
AD 00061-04	76mm High x 44mm Deep x 25mm Wide (3" High x 1¾" Deep x 1" Wide)



SPOON DISPLAY STAND: AD00065s

Type:	Size:
	A / Height of back support
AD 00065-01	89mm Shaped Back (3½")
AD 00065-02	133mm Shaped Back (5¼")
AD 00065-03	89mm Straight Back (3½")
AD 00065-04	133mm Straight Back (5¼")



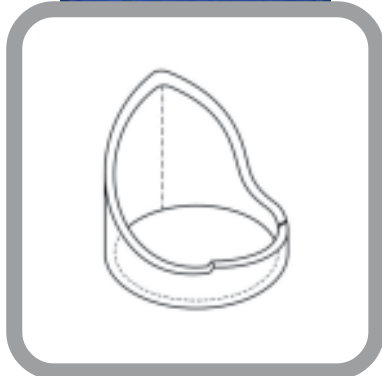
PAPER WEIGHT STANDS: AD00066s

Type:	Size:
	Dimensions
AD 00066-01	52mm Wide x 52mm Deep (2" Wide x 2" Deep)
AD 00066-02	70mm Wide x 70mm Deep (2¾" Wide x 2¾" Deep)
AD 00066-03	76mm Wide x 76mm Deep (3" Wide x 3" Deep)

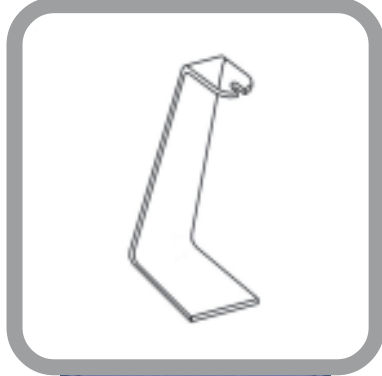




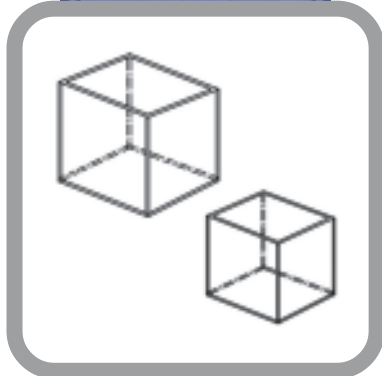
PAPER WEIGHT DISPLAY STAND: AD00067s	
Type:	Size:
	Dimensions
AD 00067-01	57mm Dia x 38mm Deep (2¼" Dia x 1½" Deep)



INRO STANDS: AD00052s	
Type:	Size:
	Height of back support
AD 00052-01	203mm (8")
AD 00052-02	254mm (10")

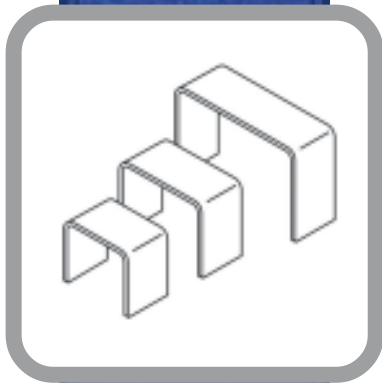


5 SIDED DISPLAY CUBES: AD00600s				
Type:	Size:			
	Dimensions			
AD 00600-00	52mm Sq	(2" Sq)	45° Mitred Edge Type	3mm Thickness
AD 00600-01	76mm Sq	(3" Sq)	45° Mitred Edge Type	3mm Thickness
AD 00600-02	102mm Sq	(4" Sq)	45° Mitred Edge Type	3mm Thickness
AD 00600-03	114mm Sq	(4½" Sq)	45° Mitred Edge Type	3mm Thickness
AD 00600-04	127mm Sq	(5" Sq)	45° Mitred Edge Type	3mm Thickness
AD 00600-05	152mm Sq	(6" Sq)	45° Mitred Edge Type	3mm Thickness
AD 00600-06	152mm Sq	(6" Sq)	45° Mitred Edge Type	4mm Thickness
AD 00600-07	229mm Sq	(9" Sq)	45° Mitred Edge Type	4mm Thickness
AD 00600-08	229mm Sq	(9" Sq)	45° Mitred Edge Type	5mm Thickness
AD 00600-09	305mm Sq	(12" Sq)	45° Mitred Edge Type	4mm Thickness
AD 00600-10	305mm Sq	(12" Sq)	45° Mitred Edge Type	5mm Thickness
AD 00600-11	381mm Sq	(15" Sq)	45° Mitred Edge Type	5mm Thickness
AD 00600-12	610mm Sq	(24" Sq)	45° Mitred Edge Type	5mm Thickness

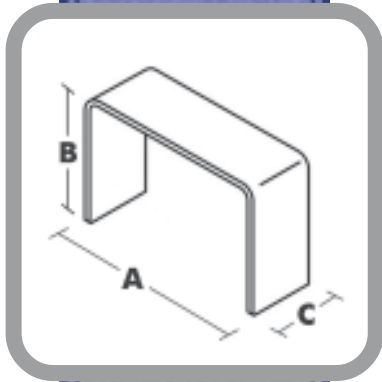


PLEASE REFER TO OUR WEBSITE FOR A WIDER SELECTION OF DISPLAY CUBES THAT ARE MANUFACTURED WITH DIFFERENT EDGE FINISHES

Tel: 01923 241122
Fax: 01923 241144



PLEASE REFER TO
OUR WEBSITE FOR A
WIDER SELECTION



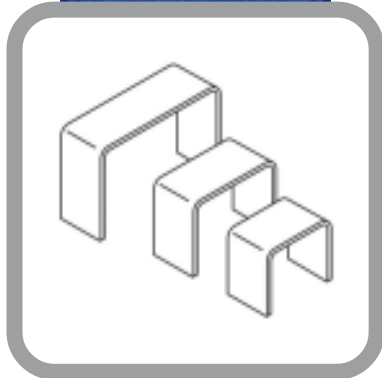
DISPLAY BRIDGES: AD00604s

Type:	Size:	Dimensions (A x B x C)		
AD 00604-01		229mm x 51mm x 51mm	(9" x 2" x 2")	3mm Thickness
AD 00604-02		152mm x 51mm x 51mm	(6" x 2" x 2")	3mm Thickness
AD 00604-03		102mm x 51mm x 51mm	(4" x 2" x 2")	3mm Thickness
AD 00604-05	Set No. 1	1 off each of the following units AD 00604-01 / AD 00604-02 / AD 00604-03		3mm Thickness
AD 00604-06		152mm x 102mm x 89mm	(6" x 4" x 3½")	3mm Thickness
AD 00604-07		102mm x 89mm x 89mm	(4" x 3½" x 3½")	3mm Thickness
AD 00604-08		76mm x 76mm x 89mm	(3" x 3" x 3½")	3mm Thickness
AD 00604-10	Set No.2	1 off each of the following units AD 00604-06 / AD 00604-07 / AD 00604-08		3mm Thickness
AD 00604-11		229mm x 152mm x 104mm	(9" x 6" x 4")	5mm Thickness
AD 00604-12		152mm x 127mm x 104mm	(6" x 5" x 4")	5mm Thickness
AD 00604-13		102mm x 102mm x 102mm	(4" x 4" x 4")	5mm Thickness
AD 00604-15	Set No.3	1 off each of the following units AD 00604-11 / AD00604-12 / AD 00604-13		5mm Thickness
AD 00604-16		157mm x 82mm x 63mm	(6¼" x 3¼" x 2½")	5mm Thickness
AD 00604-17		157mm x 114mm x 63mm	(6¼" x 4½" x 2½")	5mm Thickness
AD 00604-18		157mm x 203mm x 63mm	(6¼" x 8" x 2½")	5mm Thickness
AD 00604-20	Set No.4	1 off each of the following units AD 00604-16 / AD 00604-17 / AD 00604-18		
AD 00604-21		226mm x 38mm x 89mm	(10½" x 1½" x 3½")	5mm Thickness
AD 00604-22		343mm x 102mm x 89mm	(13½" x 4" x 3½")	5mm Thickness
AD 00604-23		368mm x 191mm x 89mm	(13½" x 4" x 3½")	5mm Thickness
AD 00604-25	Set No.5	1 off each of the following units AD 00604-21 / AD 00604-22 / AD 00604-23		5mm Thickness
AD 00604-26		38mm x 38mm x 38mm	(1½" x 1½" x 1½")	3mm Thickness
AD 00604-27		51mm x 51mm x 51mm	(2" x 2" x 2")	3mm Thickness
AD 00604-28		76mm x 76mm x 76mm	(3" x 3" x 3")	3mm Thickness
AD 00604-29		102mm x 202mm x 102mm	(4" x 4" x 4")	3mm Thickness
AD 00604-30		127mm x 127mm x 127mm	(5" x 5" x 5")	3mm Thickness
AD 00604-31		152mm x 152mm x 152mm	(6" x 6" x 6")	3mm Thickness
AD 00604-32	Set No.6	1 off each of the following units AD 00604-26 / AD 00604-27 / AD 00604-28 / AD 00604-29 / AD 00604-30 / AD 00604-31		3mm Thickness

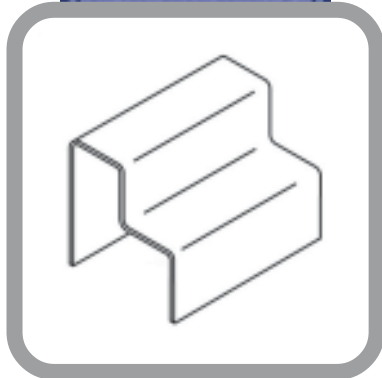
E-mail: sales@acrylicdesign.co.uk
Web: www.acrylicdesign.co.uk



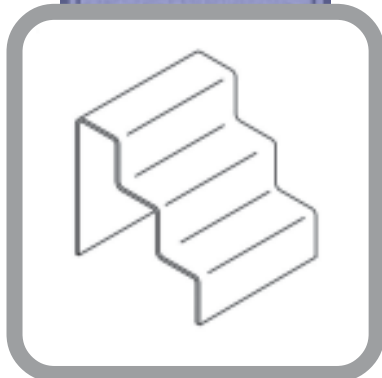
Type:	Size:
	Dimensions (A x B x C)
AD 00604-33	127mm x 127mm x 127mm (5" x 5" x 5") 5mm Thickness
AD 00604-34	152mm x 152mm x 152mm (6" x 6" x 6") 5mm Thickness
AD 00604-35	102mm x 178mm x 102mm (4" x 7" x 4") 5mm Thickness
AD 00604-36	102mm x 203mm x 102mm (4" x 8" x 4") 5mm Thickness
AD 00604-37	102mm x 229mm x 102mm (4" x 9" x 4") 5mm Thickness
AD 00604-38	76mm x 152mm x 76mm (3" x 6" x 3") 5mm Thickness
AD 00604-39	152mm x 102mm x 102mm (6" x 4" x 4") 5mm Thickness
AD 00604-40	Set No.7 1 off each of the following units AD 00604-33 / AD 00604-34 / AD 00604-35 / AD 00604-36 / AD 00604-37 / AD 00604-38 / AD 00604-39 5mm Thickness
AD 00604-41	127mm x 51mm x 127mm (5" x 2" x 5") 3mm Thickness
AD 00604-42	127mm x 76mm x 127mm (5" x 3" x 5") 3mm Thickness
AD 00604-43	127mm x 102mm x 127mm (5" x 4" x 5") 3mm Thickness
AD 00604-45	Set No.8 1 off each of the following units AD 00604-411 / AD 00604-42 / AD 00604-43 3mm Thickness
AD 00604-SP	A B C Customer to advise Constructed to suit size & design of display stand.



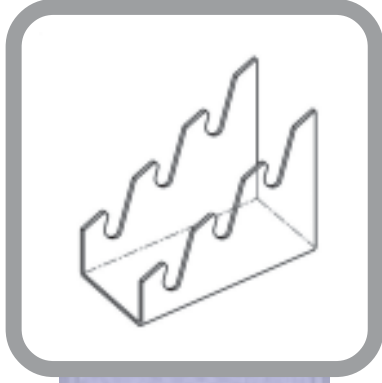
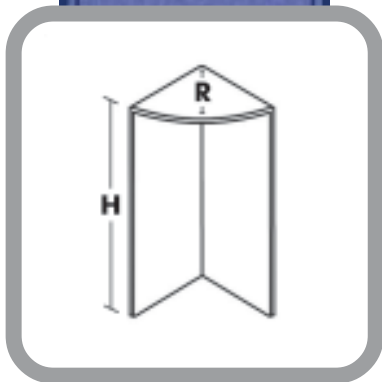
2 TIER SMALL DISPLAY STEP UNIT: AD00608s	
Type:	Size:
	Dimensions
AD 00608-01	2 Step Unit 152mm High x 152mm Wide - 76mm Deep Steps 6" High x 6" Wide - 3" Deep Steps 3mm Thickness



3 TIER SMALL DISPLAY STEP UNIT: AD00607s	
Type:	Size:
	Dimensions
AD 00607-01	3 Step Unit 152mm High x 152mm Wide - 51mm Deep Steps 6" High x 6" Wide - 2" Deep Steps 3mm Thickness



Tel: 01923 241122
Fax: 01923 241144



QUAD DISPLAY TABLE COMPONENTS: AD00616s

Type:	Size:
	Dimensions
AD 00616-01	76mm Radius x 38mm High (3" R x 1½" H) 3mm Thickness
AD 00616-02	76mm Radius x 76mm High (3" R x 3" H) 3mm Thickness
AD 00616-03	76mm Radius x 114mm High (3" R x 4½" H) 3mm Thickness
AD 00616-04	76mm Radius x 152mm High (3" R x 6" H) 3mm Thickness
AD 00616-05	Set No. 1 1 off each of the following units 3mm Thickness AD 00616-01 / AD 00616-02 / AD 00616-03 / AD 00616-04
AD 00616-11	152mm Radius x 76mm High (6" R x 3" H) 3mm Thickness
AD 00616-12	152mm Radius x 152mm High (6" R x 6" H) 3mm Thickness
AD 00616-13	152mm Radius x 229mm High (6" R x 9" H) 3mm Thickness
AD 00616-14	152mm Radius x 305mm High (6" R x 12" H) 3mm Thickness
AD 00616-15	Set No. 2 1 off each of the following units 3mm Thickness AD 00616-11 / AD 00616-12 / AD 00616-13 / AD 00616-14
AD 00616-21	229mm Radius x 114mm High (9" R x 4½" H) 5mm Thickness
AD 00616-22	229mm Radius x 229mm High (9" R x 9" H) 5mm Thickness
AD 00616-23	229mm Radius x 343mm High (9" R x 13½" H) 5mm Thickness
AD 00616-24	229mm Radius x 457mm High (9" R x 18" H) 5mm Thickness
AD 00616-25	Set No. 3 1 off each of the following units 5mm Thickness AD 00616-21 / AD 00616-22 / AD 00616-23 / AD 00616-24
AD 00616-31	305mm Radius x 152mm High (12" R x 6" H) 5mm Thickness
AD 00616-32	305mm Radius x 305mm High (12" R x 12" H) 5mm Thickness
AD 00616-33	305mm Radius x 457mm High (12" R x 18" H) 5mm Thickness
AD 00616-34	305mm Radius x 610mm High (12" R x 24" H) 5mm Thickness
AD 00616-35	Set No. 4 1 off each of the following units 5mm Thickness AD 00616-31 / AD 00616-32 / AD 00616-33 / AD 00616-34

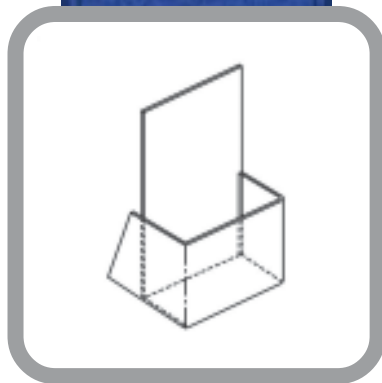
PEN/POLE SUPPORT UNIT: AD00083s

Type:	Size:
	Dimensions
AD 00083-01	114mm Deep x 57mm Wide x 102mm High (4½" Deep x 2½" Wide x 4" High)

E-mail: sales@acrylicdesign.co.uk
 Web: www.acrylicdesign.co.uk

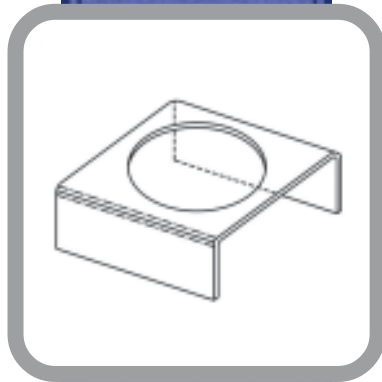
FREE STANDING LEAFLET HOLDER: AD00742s

Type:	Size:
	Dimensions
AD 00742-01	To Take 1/3 A4 (P) Leaflets Depth 35mm 3mm Thickness
AD 00742-02	To Take A5 (P) Leaflets Depth 35mm 3mm Thickness
AD 00742-03	To Take A4 (P) Leaflets Depth 35mm 3mm Thickness
AD 00742-04	To Take A4 (P) Leaflets Depth 60mm 4mm Thickness
AD 00742-05	To Take A6 (P) Leaflets Depth 35mm 3mm Thickness
AD 00742-06	To Take A4 (L) Leaflets Depth 35mm 3mm Thickness
AD 00742-07	To Take A5 (L) Leaflets Depth 35mm 3mm Thickness



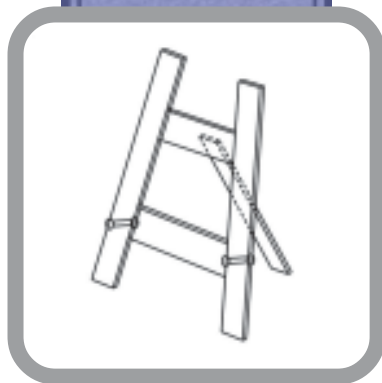
DISPLAY BRIDGE WITH HOLE: AD00055s

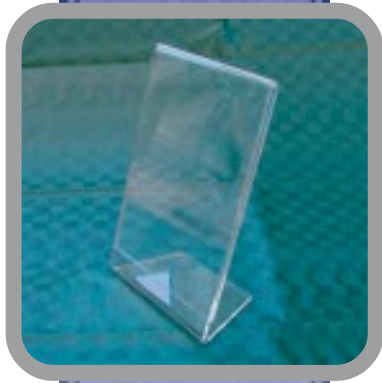
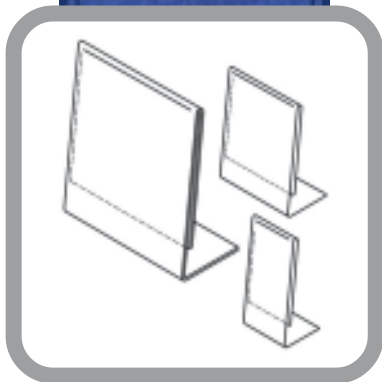
Type:	Size:
	Dimensions
AD 00055-01	76mm x 76mm x 25mm High (3" x 3" x 1" High) 52mm Dia (2" Dia Hole)
AD 00055-02	102mm x 102mm x 38mm High (4" x 4" x 1½" High) 63mm Dia (2½" Dia Hole)
AD 00055-03	127mm x 127mm x 51mm High (5" x 5" x 2" High) 76mm Dia (3" Dia Hole)



SOLID ACRYLIC EASELS: AD00085s

Type:	Size:
	A / Height
AD 00085-01	381mm (15")
AD 00085-02	508mm (20")
AD 00085-03	914mm (36")
AD 00085-04	1220mm (48")





FREE STANDING TICKET HOLDER: AD00709s

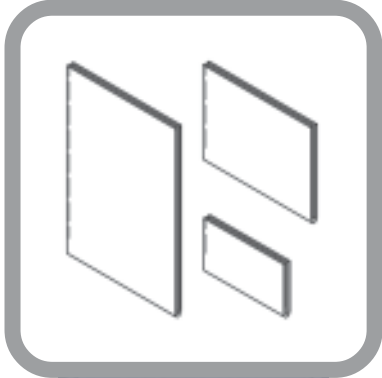
Type:	Size:	
Dimensions		
AD 00709-01	Ticket Size: A4 (P)	2mm Acrylic
AD 00709-02	Ticket Size: A4 (L)	2mm Acrylic
AD 00709-03	Ticket Size: A5 (P)	2mm Acrylic
AD 00709-04	Ticket Size: A5 (L)	3mm Acrylic
AD 00709-05	Ticket Size: A3 (P)	2mm Acrylic
AD 00709-06	Ticket Size: A3 (L)	2mm Acrylic
AD 00709-07	Ticket Size: A3 (P)	3mm Acrylic
AD 00709-08	Ticket Size: A3 (L)	3mm Acrylic
AD 00709-10	Ticket Size: 25mm x 25mm (Sq) 1" x 1" (Sq)	1.5mm Acrylic
AD 00709-11	Ticket Size: 51mm x 25mm (L) 2" x 1" (L)	2mm Acrylic
AD 00709-12	Ticket Size: 51mm x 51mm (Sq) 2" x 2" (Sq)	2mm Acrylic
AD 00709-13	Ticket Size: 76mm x 51mm (L) 3" x 2" (L)	2mm Acrylic
AD 00709-14	Ticket Size: 102mm x 25mm (L) 4" x 1" (L)	2mm Acrylic
AD 00709-15	Ticket Size: 102mm x 44mm (L) 4" x 1¾" (L)	2mm Acrylic
AD 00709-16	Ticket Size: 102mm x 76mm (L) 4" x 3" (L)	2mm Acrylic
AD 00709-17	Ticket Size: 152mm x 102mm (L) 6" x 4" (L)	2mm Acrylic
AD 00709-18	Ticket Size: 102mm x 152mm (P) 4" x 6" (P)	2mm Acrylic
AD 00709-19	Ticket Size: 229mm x 152mm (L) 9" x 6" (L)	2mm Acrylic
AD 00709-20	Ticket Size: 152mm x 229mm (P) 6" x 9" (P)	2mm Acrylic
AD 00709-21	Ticket Size: 229mm x 305mm (P) 9" x 12" (P)	2mm Acrylic
AD 00709-22	Ticket Size: 305mm x 229mm (L) 12" x 9" (L)	2mm Acrylic
AD 00709-23	Ticket Size: 305mm x 305mm (Sq) 12" x 12" (Sq)	2mm Acrylic
AD 00709-24	Ticket Size: 63mm x 152mm (P) 2½" x 6" (P)	2mm Acrylic
AD 00709-25	Ticket Size: 63mm x 178mm (P) 2½" x 7" (P)	2mm Acrylic
AD 00709-26	Ticket Size: 63mm x 203mm (P) 2½" x 8" (P)	2mm Acrylic
AD 00709-27	Ticket Size: 178mm x 254mm (P) 7" x 10" (P)	2mm Acrylic
AD 00709-28	Ticket Size: 127mm x 178mm (P) 5" x 7" (P)	2mm Acrylic
AD 00709-29	Ticket Size: 114mm x 76mm (L) 4½" x 3" (L)	2mm Acrylic
AD 00709-30	Ticket Size: 89mm x 63mm (L) 3½" x 2½" (L)	2mm Acrylic

E-mail: sales@acrylicdesign.co.uk
 Web: www.acrylicdesign.co.uk



FACE FIXING TICKET HOLDERS: AD00715s

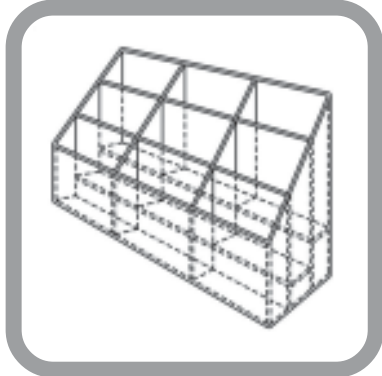
Type:	Size:
	Dimensions
AD 00715-01	Ticket Size 25mm x 25mm (Sq) 1" x 1" (Sq) 1.5mm Acrylic
AD 00715-02	Ticket Size 51mm x 25mm (L) 2" x 1" (L) 2mm Acrylic
AD 00715-03	Ticket Size 76mm x 25mm (L) 3" x 1" (L) 2mm Acrylic
AD 00715-04	Ticket Size 102mm x 25mm (L) 4" x 1" (L) 2mm Acrylic
AD 00715-05	Ticket Size 51mm x 51mm (Sq) 2" x 2" (Sq) 2mm Acrylic
AD 00715-06	Ticket Size 76mm x 52mm (L) 3" x 2" (L) 2mm Acrylic
AD 00715-07	Ticket Size: 13mm x 25mm (L) 1½" x 1" (L) 2mm Acrylic
AD 00715-08	Ticket Size: 152mm x 25mm (L) 6" x 1" (L) 2mm Acrylic
AD 00715-09	Ticket Size: 102mm x 51mm (L) 4" x 2" (L) 2mm Acrylic
AD 00715-10	Ticket Size: 102mm x 76mm (L) 4" x 3" (L) 2mm Acrylic
AD 00715-11	Ticket Size: 102mm x 102mm (Sq) 4" x 4" (Sq) 2mm Acrylic
AD 00715-12	Ticket Size: 152mm x 102mm (P) 6" x 4" (P) 2mm Acrylic
AD 00715-13	Ticket Size: 152mm x 102mm (L) 6" x 4" (L) 2mm Acrylic
AD 00715-14	Ticket Size: 229mm x 152mm (P) 9" x 6" (P) 2mm Acrylic
AD 00715-15	Ticket Size: 305mm x 229mm (P) 12" x 9" (P) 2mm Acrylic
AD 00715-16	Ticket Size: 305mm x 229mm (L) 12" x 9" (L) 2mm Acrylic
AD 00715-17	Ticket Size: 305mm x 457mm (P) 12" x 18" (P) 2mm Acrylic
AD 00715-18	Ticket Size: 305mm x 457mm (L) 12" x 18" (L) 2mm Acrylic
AD 00715-19	Ticket Size: 178mm x 127mm (L) 7" x 5" (L) 2mm Acrylic
AD 00715-20	Ticket Size: 381mm x 305mm (P) 15" x 12" (P) 2mm Acrylic
AD 00715-21	Ticket Size: 457mm x 330mm (P) 18" x 13" (P) 2mm Acrylic
AD 00715-22	Ticket Size: 450mm x 114mm (L) 17½" x 4½" (L) 2mm Acrylic
AD 00715-23	Ticket Size: 445mm x 114mm (L) 17 3/4" x 4 1/2" (L) 2mm Acrylic
AD 00715-24	Ticket Size: 152mm x 102mm (L) 6" x 4" (L) 2mm Acrylic
AD 00715-25	Ticket Size: A3 (P) 3mm Acrylic
AD 00715-26	Ticket Size: A3 (P) 2mm Acrylic
AD 00715-27	Ticket Size: A3 (L) 3mm Acrylic
AD 00715-28	Ticket Size: A3 (L) 2mm Acrylic



PLEASE REFER TO OUR WEBSITE FOR A WIDER SELECTION

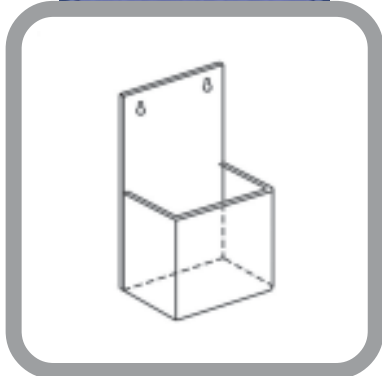


**Tel: 01923 241122
Fax: 01923 241144**



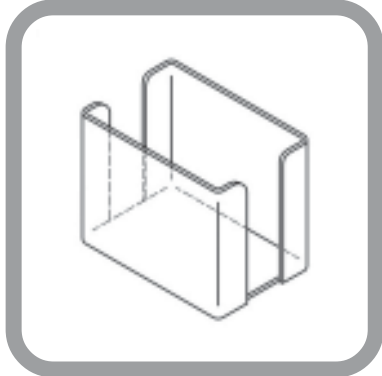
MULTI 3 TIER LEAFLET HOLDER: AD00739s

Type:	Size:
Dimensions	
AD 00739-01	1 x 3 Way To Take Leaflets 1/3 - A4 (P)
AD 00739-02	2 x 3 Way To Take Leaflets 1/3 - A4 (P)
AD 00739-03	3 x 3 Way To Take Leaflets 1/3 - A4 (P)
AD 00739-11	1 x 3 Way To Take Leaflets A5 (P)
AD 00739-12	2 x 3 Way To Take Leaflets A5 (P)
AD 00739-13	3 x 3 Way To Take Leaflets A5 (P)
AD 00739-21	1 x 3 Way To Take Leaflets A4 (P)
AD 00739-22	2 x 3 Way To Take Leaflets A4 (P)
AD 00739-23	3 x 3 Way To Take Leaflets A4 (P)



FACE FIX LEAFLET HOLDERS: AD00737s

Type:	Size:
Dimensions	
AD 00737-01	To Take 1/3 A4 (P) Leaflet Depth 35mm 3mm Thickness With Key Hole Fixings
AD 00737-02	To Take A5 (P) Leaflet Depth 35mm 3mm Thickness With Key Hole Fixings
AD 00737-03	To Take A4 (P) Leaflet Depth 35mm 3mm Thickness With Key Hole Fixings

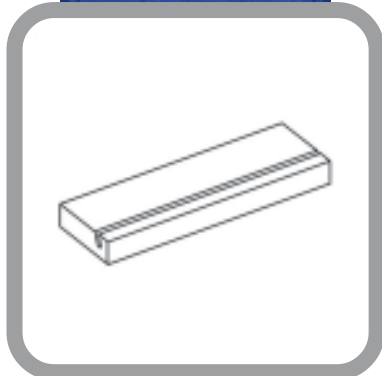


STACKING BUSINESS CARD HOLDER: AD00054s

Type:	Size:
Dimensions	
AD 00054-01	Card Size - 89mm x 57mm x 25mm High (3 1/2" x 2 1/4" x 1" High)
AD 00054-02	Card Size - 89mm x 57mm x 51mm High (3 1/2" x 2 1/4" x 2" High)
AD 00054-03	Card Size - 89mm x 57mm x 76mm High (3 1/2" x 2 1/4" x 3" High)

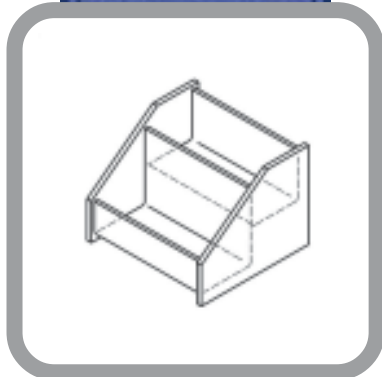
CARD/MINI TICKET SUPPORT BLOCKS: AD00730s

Type:	Size:
Dimensions	
AD 00730-01	12mm Long x 12mm Deep x 5mm Thickness (½" Long x ½" Deep)
AD 00730-02	25mm Long x 12mm Deep x 5mm Thickness (1" Long x ½" Deep)
AD 00730-03	38mm Long x 12mm Deep x 5mm Thickness (1½" Long x ½" Deep)
AD 00730-04	51mm Long x 12mm Deep x 5mm Thickness (2" Long x ½" Deep)



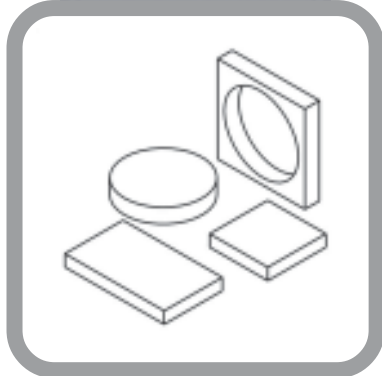
FREE STANDING BUSINESS CARD HOLDER: AD00053s

Type:	Size:
Dimensions	
AD 00053-01	Card Size - 83mm x 70mm (3¼" x 2¾") Vertical Card Holder
AD 00053-02	Card Size - 108mm x 83mm (4¼" x 3¼") Vertical Card Holder

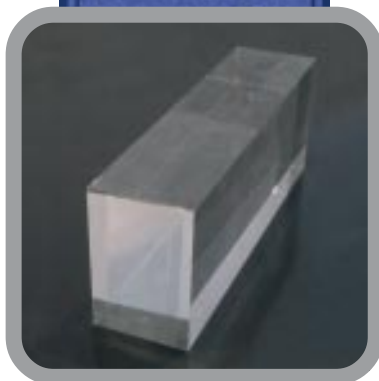
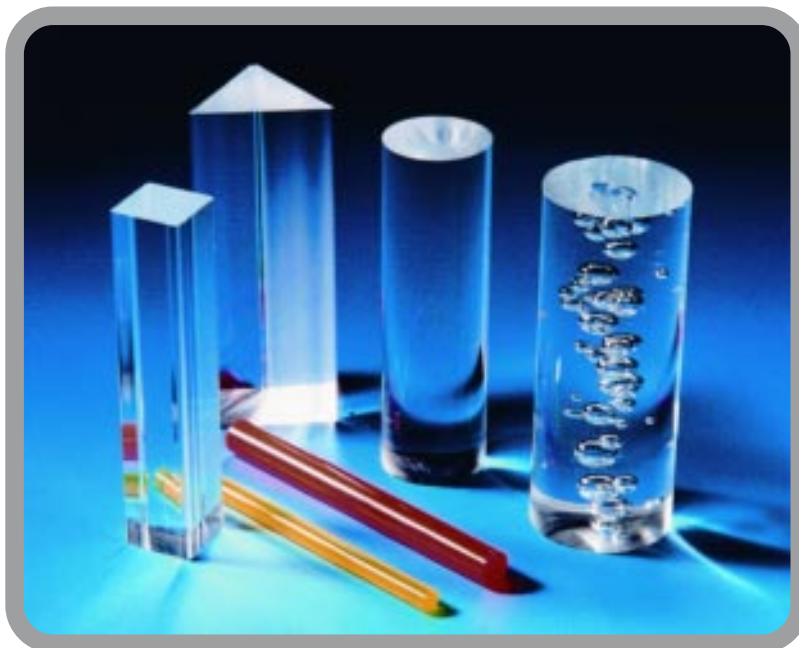


CUT TO SIZE SHEET POLISHED EDGES: AD00075s

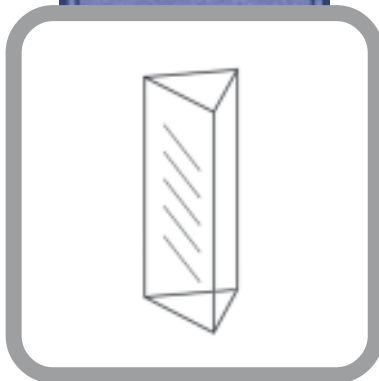
Type:	Size:
Dimensions	
AD 00075-06	Thickness 6mm Cut To Size - Please State Size Required
AD 00075-08	Thickness 8mm Cut To Size - Please State Size Required
AD 00075-10	Thickness 10mm Cut To Size - Please State Size Required
AD 00075-12	Thickness 12mm Cut To Size - Please State Size Required
AD 00075-15	Thickness 15mm Cut To Size - Please State Size Required
AD 00075-20	Thickness 20mm Cut To Size - Please State Size Required
AD 00075-25	Thickness 25mm Cut To Size - Please State Size Required
AD 00075-30	Thickness 30mm Cut To Size - Please State Size Required



Tel: 01923 241122
Fax: 01923 241144



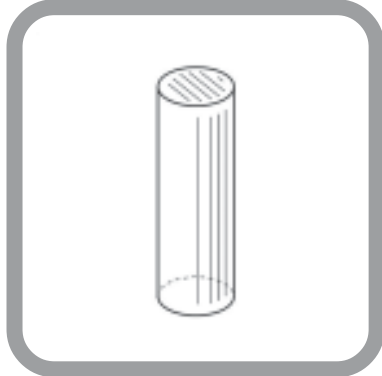
EXTRUDED ACRYLIC SOLID ROD SECTIONS



TRIANGULAR ROD CUT AND POLISHED: AD01636s

Type:	Size:			Size:	
	Size	Cut Height		Size	Cut Height
AD 01636-01	25mm	25mm	AD 01636-21	40mm	25mm
AD 01636-02	25mm	38mm	AD 01636-22	40mm	38mm
AD 01636-03	25mm	50mm	AD 01636-23	40mm	50mm
AD 01636-04	25mm	63mm	AD 01636-24	40mm	63mm
AD 01636-05	25mm	76mm	AD 01636-25	40mm	76mm
AD 01636-11	30mm	25mm	AD 01636-31	50mm	25mm
AD 01636-12	30mm	38mm	AD 01636-32	50mm	38mm
AD 01636-13	30mm	50mm	AD 01636-33	50mm	50mm
AD 01636-14	30mm	63mm	AD 01636-34	50mm	63mm
AD 01636-15	30mm	76mm	AD 01636-35	50mm	76mm

ROUND ROD CUT AND POLISHED: AD02636s					
Type:	Size:			Size:	
	Size	Cut Height		Size	Cut Height
AD 02636-01	25mm	25mm	AD 02636-21	40mm	25mm
AD 02636-02	25mm	38mm	AD 02636-22	40mm	38mm
AD 02636-03	25mm	50mm	AD 02636-23	40mm	50mm
AD 02636-04	25mm	63mm	AD 02636-24	40mm	63mm
AD 02636-05	25mm	76mm	AD 02636-25	40mm	76mm
AD 02636-11	30mm	25mm	AD 02636-31	50mm	25mm
AD 02636-12	30mm	38mm	AD 02636-32	50mm	38mm
AD 02636-13	30mm	50mm	AD 02636-33	50mm	50mm
AD 02636-14	30mm	63mm	AD 02636-34	50mm	63mm
AD 02636-15	30mm	76mm	AD 02636-35	50mm	76mm



SQUARE ROD CUT AND POLISHED: AD03636s					
Type:	Size:			Size:	
	Size	Cut Height		Size	Cut Height
AD 03636-01	15mm	25mm	AD 03636-21	25mm	25mm
AD 03636-02	15mm	38mm	AD 03636-22	25mm	38mm
AD 03636-03	15mm	50mm	AD 03636-23	25mm	50mm
AD 03636-04	15mm	63mm	AD 03636-24	25mm	63mm
AD 03636-05	15mm	76mm	AD 03636-25	25mm	76mm
AD 03636-11	20mm	25mm	AD 03636-31	30mm	25mm
AD 03636-12	20mm	38mm	AD 03636-32	30mm	38mm
AD 03636-13	20mm	50mm	AD 03636-33	30mm	50mm
AD 03636-14	20mm	63mm	AD 03636-34	30mm	63mm
AD 03636-15	20mm	76mm	AD 03636-35	30mm	76mm



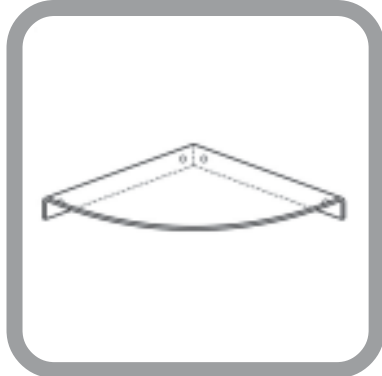
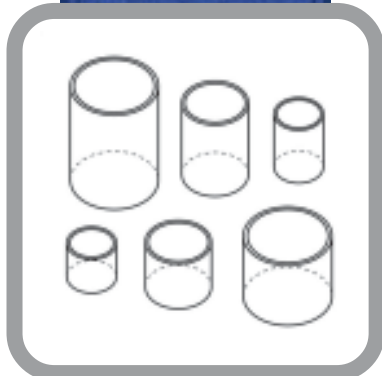


ROD SETS: AD01636s / 02636s / 03636s

Type:	Size:
	Dimensions
01636S Triangular Rod	
AD 01636-06	1 off each of the following units 25mm Thickness AD 01636-01 / AD 01636-02 / AD 01636-03 / AD 01636-04 / AD 01636-05
AD 01636-16	1 off each of the following units 30mm Thickness AD 01636-11 / AD 01636-12 / AD 01636-13 / AD 01636-14 / AD 01636-15
AD 01636-26	1 off each of the following units 40mm Thickness AD 01636-21 / AD 01636-22 / AD 01636-23 / AD 01636-24 / AD 01636-25
AD 01636-36	1 off each of the following units 50mm Thickness AD 01636-31 / AD 01636-32 / AD 01636-33 / AD 01636-34 / AD 01636-35
02636s Round Rod	
AD 02636-06	1 off each of the following units 25mm Thickness AD 02636-01 / AD 02636-02 / AD 02636-03 / AD 02636-04 / AD 02636-05
AD 02636-16	1 off each of the following units 30mm Thickness AD 02636-11 / AD 02636-12 / AD 02636-13 / AD 02636-14 / AD 02636-15
AD 02636-26	1 off each of the following units 40mm Thickness AD 02636-21 / AD 02636-22 / AD 02636-23 / AD 02636-24 / AD 02636-25
AD 02636-36	1 off each of the following units 50mm Thickness AD 02636-31 / AD 02636-32 / AD 02636-33 / AD 02636-34 / AD 02636-35
03636s Square Rod	
AD 03636-06	1 off each of the following units 15mm Thickness AD 03636-01 / AD 03636-02 / AD 03636-03 / AD 03636-04 / AD 03636-05
AD 03636-16	1 off each of the following units 20mm Thickness AD 03636-11 / AD 03636-12 / AD 03636-13 / AD 03636-14 / AD 03636-15
AD 03636-26	1 off each of the following units 25mm Thickness AD 03636-21 / AD 03636-22 / AD 03636-23 / AD 03636-24 / AD 03636-25
AD 03636-36	1 off each of the following units 30mm Thickness AD 03636-31 / AD 03636-32 / AD 03636-33 / AD 03636-34 / AD 03636-35

WATCH STAND: AD00051s

Type:	Size:
	Dimensions
AD 00051-01	Hanging Space 63mm Dia (2½" Dia) Overall Height 102mm (4")

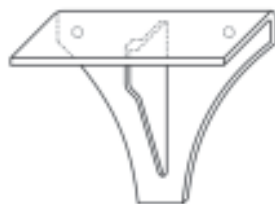


Tel: 01923 241122
Fax: 01923 241144

POLISHED ACRYLIC TUBE: AD00635s		
Type:	Size: Please state length required	
	Dimensions	
AD 00635-01	Outside Dia: 30mm	Wall Thickness: 3mm
AD 00635-02	Outside Dia: 40mm	Wall Thickness: 3mm
AD 00635-03	Outside Dia: 50mm	Wall Thickness: 3mm
AD 00635-04	Outside Dia: 75mm	Wall Thickness: 3mm
AD 00635-05	Outside Dia: 100mm	Wall Thickness: 3mm
AD 00635-06	Outside Dia: 127mm	Wall Thickness: 3mm
AD 00635-07	Outside Dia: 152mm	Wall Thickness: 3mm
AD 00635-51	Outside Dia: 100mm	Wall Thickness: 5mm
AD 00635-52	Outside Dia: 110mm	Wall Thickness: 5mm
AD 00635-53	Outside Dia: 150mm	Wall Thickness: 5mm
Other Diameters available upon request.		

CORNER SHELF UNIT: AD00090s		
Type:	Size:	
	Dimensions	
AD 00090-01	152 mm x 152mm	(6" x 6")
AD 00090-02	203mm x 203mm	(8" x 8")
AD 00090-03	254mm x 254mm	(10" x 10")
AD 00090-04	305mm x 305mm	(12" x 12")

SHELF SUPPORT RADIUS FRONT: AD00091s		
Type:	Size:	
	Dimensions	
AD 00091-01	152 mm x 152mm	(6" x 6")
AD 00091-02	203mm x 203mm	(8" x 8")
AD 00091-03	254mm x 254mm	(10" x 10")
AD 00091-04	305mm x 305mm	(12" x 12")



SHELF SUPPORT SQUARE FRONT: AD00092s

Type:	Size:
Dimensions	
AD 00092-01	152 mm x 152mm (6" x 6")
AD 00092-02	203mm x 203mm (8" x 8")
AD 00092-03	254mm x 254mm (10" x 10")
AD 00092-04	305mm x 305mm (12" x 12")



WATCH STAND-BLACK BASE: AD00050s

Type:	Size:
Dimensions	
AD 00050-01	Hanging Space 51mm x 51mm (2" x 2")
AD 00050-02	Hanging Space 57mm x 57mm (2¼" x 2¼")
AD 00050-03	Hanging Space 76mm x 70mm (3" x 2¾")



EARRING STANDS: AD00834s

Type:	Size:
Dimensions	
AD 00834-01	102mm High (4" High)
AD 00834-02	127mm High (5" High)
AD 00834-03	152mm High (6" High)

Also available in coloured acrylic.

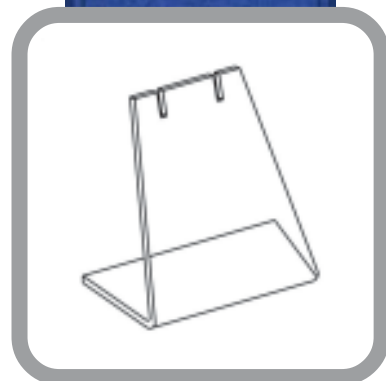


EARRING DISPLAY STAND: AD00832s

Type:	Size:
Dimensions	
AD 00832-01	76mm High (3" High)
AD 00832-02	102mm High (4" High)
AD 00832-03	152mm High (6" High)

EARRING DISPLAY STAND: AD00833s

Type:	Size:
Dimensions	
AD 00833-01	51mm High (2" High)
AD 00833-02	76mm High (3" High)
AD 00833-03	102mm High (4" High)
AD 00833-04	152mm High (6" High)
Also available in coloured acrylic.	



VERTICAL WATCH/BRACELET STAND: AD00814s

Type:	Size:
Dimensions	
AD 00814-01	Watch/Bracelet Stand Vertical Ladies (Small)
AD 00814-02	Watch/Bracelet Stand Vertical Gents (Large)



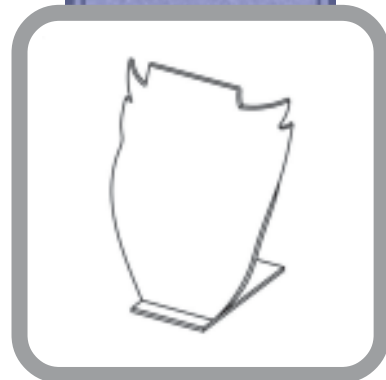
HORIZONTAL WATCH/BRACELET STAND: AD00814s

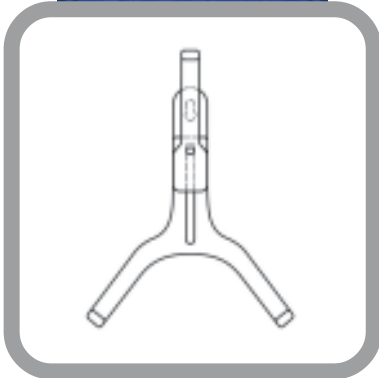
Type:	Size:
Dimensions	
AD 00814-11	Watch/Bracelet Stand Horizontal (Adjustable) Ladies (Small)
AD 00814-12	Watch/Bracelet Stand Horizontal (Adjustable) Gents (Large)



MOULDED CHAIN STAND: AD00829s

Type:	Size:
Dimensions	
AD 00829-01	235mm High (9½" High) Black Gloss
AD 00829-20	235mm High (9½" High) Black Matt Finish
Also available in coloured acrylic.	

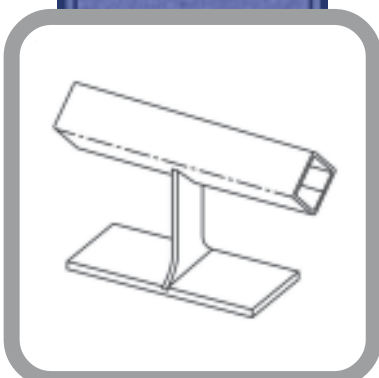




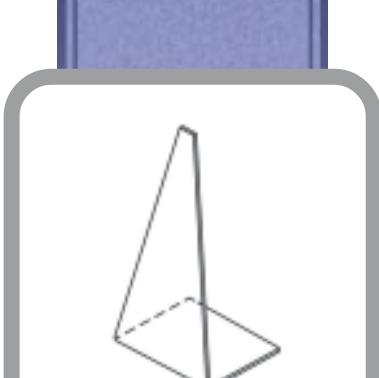
ADJUSTABLE WALL FIXING PLATE STAND: AD00068s	
Type:	Size:
Dimensions	
AD 00068-01	To Hold Plates 203mm - 279mm (8" - 11")
AD 00068-02	To Hold Plates 279mm - 356mm (11" - 14")
Also available in coloured acrylic.	



EARRING DISPLAY STAND: AD00831s	
Type:	Size:
Dimensions	
AD 00831-01	254mm Wide (10" Wide) Black Gloss
AD 00831-20	254mm Wide (10" Wide) Matt Finish
Also available in coloured acrylic.	



BANGLE DISPLAY STAND: AD00830s	
Type:	Size:
Dimensions	
AD 00830-01	203mm Long Bars (8" Long Bars) Black Gloss
AD 00830-20	203mm Long Bars (8" Long Bars) Matt Finish
Also available in coloured acrylic.	



BROOCH STAND: AD00827s	
Type:	Size:
Dimensions	
AD 00827-01	83 mm x 38mm Wide (3¼" x 1½" Wide)
AD 00827-02	89mm x 44mm Wide (3½" x 1¾" Wide)
AD 00827-03	127mm x 63mm Wide (5" x 2½" Wide)
AD 00827-04	165mm x 83mm Wide (6½" x 3¼" Wide)
Also available in coloured acrylic.	



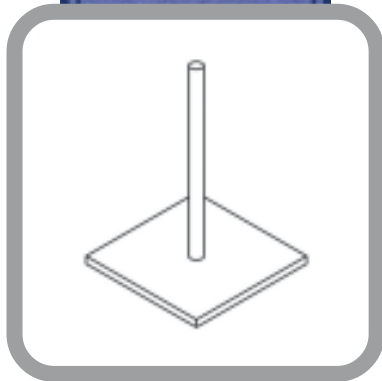
NECKLACE/CHAIN STAND: AD00817s

Type:	Size:
Dimensions	
AD 00817-01	152mm High (6" High) Black Gloss
AD 00817-02	203mm High (8" High) Black Gloss
AD 00817-03	254mm High (10" High) Black Gloss
AD 00817-21	152mm High (6" High) Matt Finish
AD 00817-22	203mm High (8" High) Matt Finish
AD 00817-23	254mm High (10" High) Matt Finish
Also available in coloured acrylic.	



BASE POLE DISPLAYS: AD00071s

Type:	Size:
Dimensions	
AD 00071-01	25mm Base (Sq) x 25mm Pole (H) (1" Base x 1" Pole-H) 12mm Dia
AD 00071-02	38mm Base (Sq) x 51mm Pole (H) (1½" Base x 2" Pole-H) 12mm Dia
AD 00071-03	51mm Base (Sq) x 76mm Pole (H) (2" Base x 3" Pole-H) 12mm Dia
AD 00071-04	76mm Base (Sq) x 102mm Pole (H) (3" Base x 4" Pole-H) 12mm Dia
AD 00071-05	102mm Base (Sq) x 152mm Pole (H) (4" Base x 6" Pole-H) 12mm Dia
AD 00071-06	127mm Base (Sq) x 203mm Pole (H) (6" Base x 8" Pole-H) 12mm Dia
AD 00071-20	Supporting Discs For Top Of Pole 12mm Dia (½" Dia) 3mm Thickness
AD 00071-21	Supporting Discs For Top Of Pole 25mm Dia (1" Dia) 3mm Thickness
AD 00071-22	Supporting Discs For Top Of Pole 51mm Dia (2" Dia) 3mm Thickness

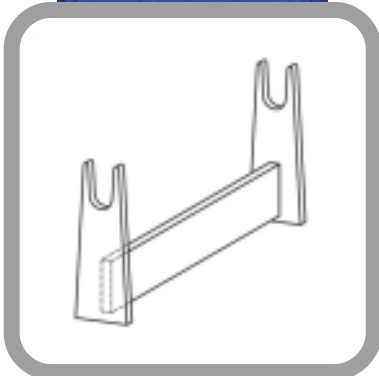


SWORD/ARROW DISPLAY STAND: AD00084s

Type:	Size:
Dimensions	
AD 00084-01	432mm Overall x 305mm High (17" Overall x 12" High) 8mm Clear Acrylic



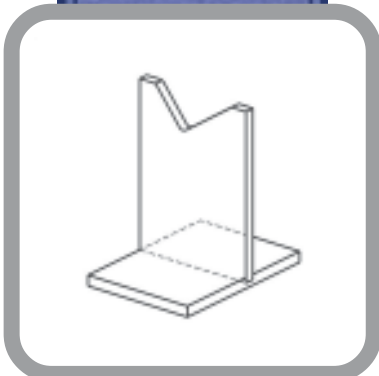
Tel: 01923 241122
Fax: 01923 241144



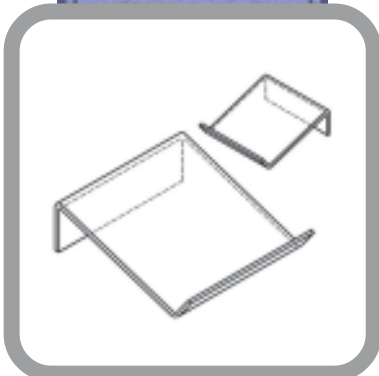
SUPPORT STANDS: AD00072s			
Type:	Size:		
	Dimensions		
AD 00072-01	216mm Long x 152mm High	(8½" Long x 6" High)	
AD 00072-02	166mm Long x 76mm High	(6½" Long x 3" High)	



TENT SUPPORTS: AD00073s			
Type:	Size:		
	Dimensions		
AD 00073-01	76mm High Overall x 51mm Wide	(3" High Overall x 2" Wide)	
AD 00073-02	152mm High Overall x 51mm Wide	(6" High Overall x 2" Wide)	



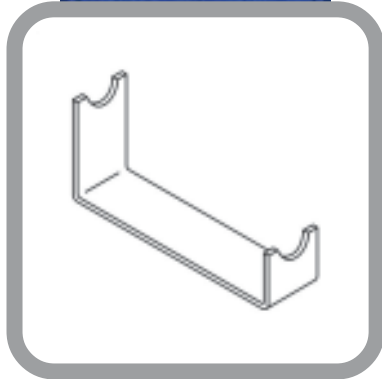
V SUPPORTS: AD00074s			
Type:	Size:		
	Dimensions		
AD 00074-01	127mm High x 89mm Wide	(5" High x 3½" Wide)	
AD 00074-02	76mm High x 44mm Wide	(3" High x 1¾" Wide)	



SLOPING SUPPORT STANDS: AD00081s			
Type:	Size:		
	Dimensions		
AD 00081-01	25mm x 19mm x 13mm	(1" x ¾" x ½")	2mm Thickness
AD 00081-02	63mm x 51mm x 19mm	(2½" x 2" x ¾")	2mm Thickness
AD 00081-03	38mm x 38mm x 25mm	(1½" x 1½" x 1")	2mm Thickness
AD 00081-04	76mm x 51mm x 38mm	(3" x 2" x 1½")	2mm Thickness



U SUPPORTS: AD00082s		
Type:	Size:	
	Dimensions	
AD 00082-01	152mm Long x 63mm Wide Back - 63mm High / Front - 32mm High	(6" Long x 2½" Wide) (2½" High / 1¼" High)



DISPLAY CABINETS: AD00660s		
Type:	Size:	
	Dimensions	
AD 00660-01	457mm Wide x 610mm High x 76mm Deep	(18" x 24" x 3") 5 Shelves
AD 00660-11	457mm Wide x 610mm High x 76mm Deep	(18" x 24" x 3") 18 Shelves
AD 00660-02	914mm Wide x 610mm High x 76mm Deep	(36" x 24" x 3") 5 Shelves
AD 00660-12	914mm Wide x 610mm High x 76mm Deep	(36" x 24" x 3") 39 Shelves



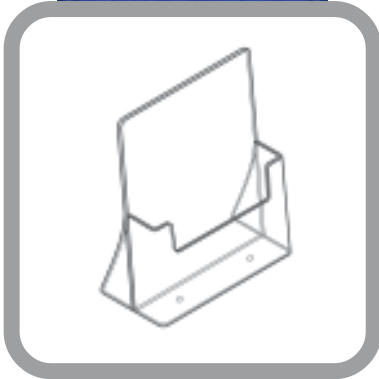
"NO SMOKING" SIGN: AD00095s		
Type:	Size:	
	Dimensions	
AD 00095-01	102mm Wide x 32mm High Clear Acrylic - White Text	(4" Wide x 1¼" High)
AD 00095-02	102mm Wide x 32mm High Black Acrylic - White Text	(4" Wide x 1¼" High)



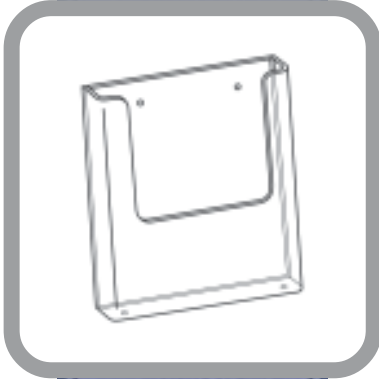
"PLEASE DO NOT TOUCH" SIGN: AD00095s		
Type:	Size:	
	Dimensions	
AD 00095-03	152mm Wide x 32mm High Black Acrylic - Gold Text	(6" Wide x 1¼" High)



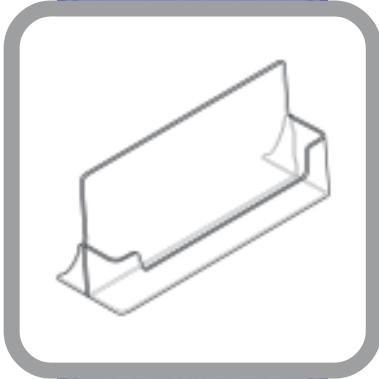
Tel: 01923 241122
Fax: 01923 241144



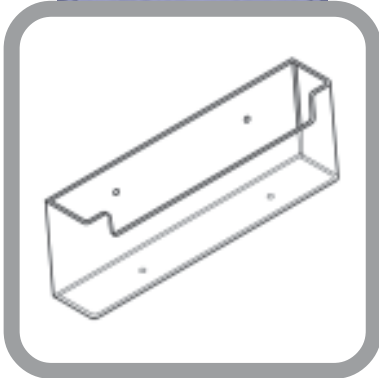
FREE STANDING INJECTION MOULDED LEAFLET HOLDER: TM00001			
Type:	Size:		
	Dimensions		
TM00001-01	1/3 A4 (P)	110 mm Wide x 32mm Deep	(4½" Wide x 1¼" Deep)
TM00001-02	A5 (P)	160 mm Wide x 32mm Deep	(6¼" Wide x 1¼" Deep)
TM00001-03	A4 (P)	230 mm Wide x 32mm Deep	(9" Wide x 1¼" Deep)
TM00001-04	1/3 A4 (L)	230 mm Wide x 32mm Deep	(9" Wide x 1¼" Deep)



INJECTION MOULDED WALL FIXING LEAFLET HOLDER: TM00002			
Type:	Size:		
	Dimensions		
TM00002-01	1/3 A4 (P)	110 mm Wide x 32mm Deep	(4¼" Wide x 1¼" Deep)
TM00002-02	A5 (P)	160mm Wide x 32mm Deep	(6¼" Wide x 1¼" Deep)
TM00002-03	A4 (P)	230mm Wide x 32mm Deep	(9" Wide x 1¼" Deep)
TM00002-04	1/3 A4 (L)	230mm Wide x 32mm Deep	(9" Wide x 1¼" Deep)



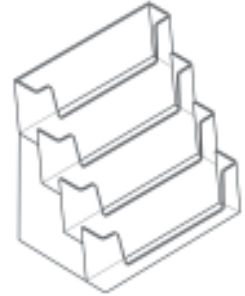
BUSINESS CARD HOLDER FREESTANDING: TM00003			
Type:	Size:		
	Dimensions		
TM00003-01	93 mm Wide x 18mm Deep	(L)	(3½" Wide x ¾" Deep)
TM00003-02	59 mm Width x 19mm Deep	(P)	(2¼" Wide x ¾" Deep)



BUSINESS CARD HOLDER: TM00005			
Type:	Size:		
	Dimensions		
TM00005-01	93 mm Wide x 18mm Deep	(L)	(3½" Wide x ¾" Deep)

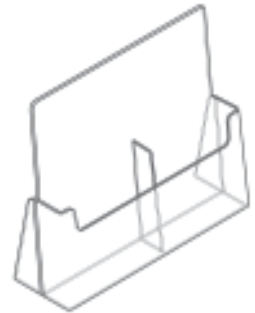
MULTI BUSINESS CARD HOLDER: TM00004

Type:	Size:
Dimensions	
TM00004-01	4 Way (4x1) Stepped Business Card Holder 93mm x 18mm x4
TM00004-02	8 Way (4x2) Stepped Business Card Holder 93mm x 18mm x8



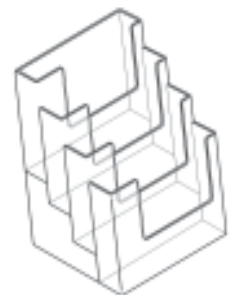
DOUBLE LEAFLET HOLDER: TM00007

Type:	Size:
Dimensions	
TM00007-01	2 x 1/3 A4 (P) 112mm Wide x 30mm Deep (4 1/4" Wide x 1 1/4" Deep)



MULTI TIER LEAFLET HOLDER: TM00008

Type:	Size:
Dimensions	
TM00008-01	4 Tier 1/3 A4 (P) 110mm Wide x 32mm Deep (4 1/4" Wide x 1 1/4" Deep)
TM00008-02	4 Tier A5 (P) 159mm Wide x 32mm Deep (6 1/4" Wide x 1 1/4" Deep)
TM00008-03	3 Tier A4 (P) 230mm Wide x 32mm Deep (9 1/4" Wide x 1 1/4" Deep)
TM00008-04	4 Tier A4 (P) 230mm Wide x 32mm Deep (9 1/4" Wide x 1 1/4" Deep)
TM00008-05	2 Tier 1/3 A4 (P) 110mm Wide x 45mm Deep (4 1/4" Wide x 1 3/4" Deep)
TM00008-06	2 Tier A5 (P) 160mm Wide x 45mm Deep (6 1/4" Wide x 1 3/4" Deep)

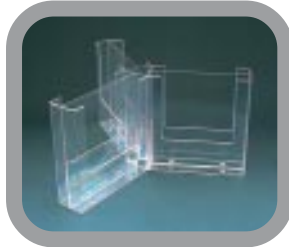




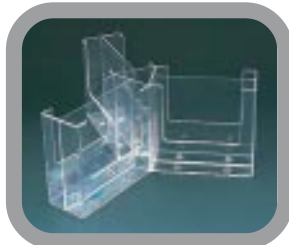
TM00020-01



TM00020-02



TM00020-03



TM00020-04

FREE STANDING REVOLVING CAROUSEL LEAFLET HOLDERS: TM00020-01

Type: MIX 'N' MATCH CAROUSEL

Mix 'n' match carousel complete with any 3 tier combination (1/3 A4, A5, A4). Overall height 1420mm.

INDIVIDUAL CAROUSEL POCKETS

Type:	Size:
Dimensions	
TM00020-02	12 Pocket 1/3 A4 tier for use with any carousel
TM00020-03	6 Pocket A5 tier for use with any carousel
TM00020-04	6 Pocket A4 tier for use with any carousel



TM 00030-01



TM 00030-02



TM 00030-03

DESKTOP REVOLVING CAROUSEL LEAFLET HOLDERS

Type:	Size:
Dimensions	
TM 00030-01	12 Pocket 1/3 A4 Spinner
TM 00030-02	6 Pocket A5 Spinner
TM 00030-03	6 Pocket A4 Spinner

CIRCULAR SINGLE RING BLOCKS: AD10835

Code:	Size:		
	Dimensions		
	Colour	Diameter	Height
AD10835-01	Clear	20	15mm
AD10835-02	Clear	20	20mm
AD10835-03	Clear	20	25mm
AD10835-04	Clear	20	30mm
AD10835-05	Clear	20	40mm
AD10835-06	Clear	20	45mm
AD10835-07	Clear	20	50mm
AD10835-10	Set 1 off each of the following units AD10835-01 / 02 / 03 / 04 / 05 / 06 / 07		



PLEASE REFER TO
OUR WEBSITE FOR A
WIDER SELECTION

CIRCULAR RING BLOCKS: AD20835

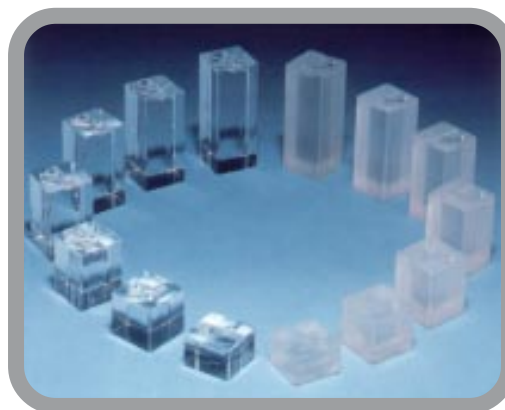
Code:	Size:		
	Dimensions		
	Colour	Diameter	Height
AD20835-01	Frost	20	15mm
AD20835-02	Frost	20	20mm
AD20835-03	Frost	20	25mm
AD20835-04	Frost	20	30mm
AD20835-05	Frost	20	40mm
AD20835-06	Frost	20	45mm
AD20835-07	Frost	20	50mm
AD20835-10	Set 1 off each of the following units AD20835-01 / 02 / 03 / 04 / 05 / 06 / 07		

Tel: 01923 241122
Fax: 01923 241144



SQUARE SINGLE RING BLOCKS: AD10836

Code:	Size:		
	Dimensions		
	Colour	Square	Height
AD10836-01	Clear	20	15mm
AD10836-02	Clear	20	20mm
AD10836-03	Clear	20	25mm
AD10836-04	Clear	20	30mm
AD10836-05	Clear	20	40mm
AD10836-06	Clear	20	45mm
AD10836-07	Clear	20	50mm
AD10836-10	Set 1 off each of the following units AD10836-01 / 02 / 03 / 04 / 05 / 06 / 07		



PLEASE REFER TO
OUR WEBSITE FOR A
WIDER SELECTION

SQUARE RING BLOCKS: AD20836

Code:	Size:		
	Dimensions		
	Colour	Square	Height
AD20836-01	Frost	20	15mm
AD20836-02	Frost	20	20mm
AD20836-03	Frost	20	25mm
AD20836-04	Frost	20	30mm
AD20836-05	Frost	20	40mm
AD20836-06	Frost	20	45mm
AD20836-07	Frost	20	50mm
AD20836-10	Set 1 off each of the following units AD20836-01 / 02 / 03 / 04 / 05 / 06 / 07		

E-mail: sales@acrylicdesign.co.uk
Web: www.acrylicdesign.co.uk



TRIANGULAR SINGLE RING BLOCKS: AD10837			
Code:	Size:		
	Dimensions		
	Colour	Tri	Height
AD 10837-01	Clear	30mm	15mm
AD 10837-02	Clear	30mm	20mm
AD 10837-03	Clear	30mm	25mm
AD 10837-04	Clear	30mm	30mm
AD 10837-05	Clear	30mm	40mm
AD 10837-06	Clear	30mm	45mm
AD 10837-07	Clear	30mm	50mm

PLEASE REFER TO
OUR WEBSITE FOR A
WIDER SELECTION



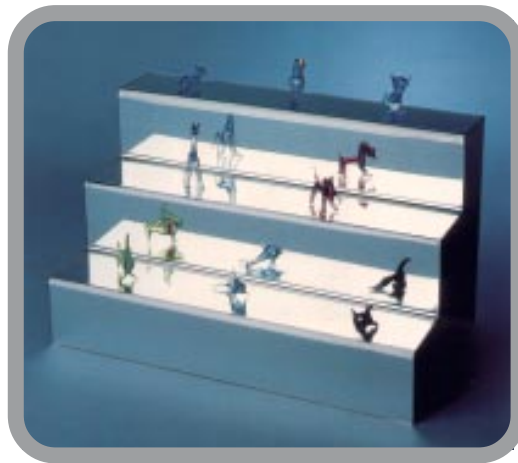
TABLE TOP CARD RACKS: ADFA0004		
Type:	Size:	
	Dimensions	
AD FA0004	Will hold 2 x 4 rows of cards.	Card size 95mm x 65mm

Tel: 01923 241122
Fax: 01923 241144



PICTURE EASELS: AD00675

Type:	Size:
Dimensions	
AD 00675-01	230mm High x 175mm Wide (9 1/4" High x 7" Wide) Landscape or portrait
AD 00675-02	280mm High x 330mm Wide (11" High x 13 1/4" Wide) Landscape or portrait

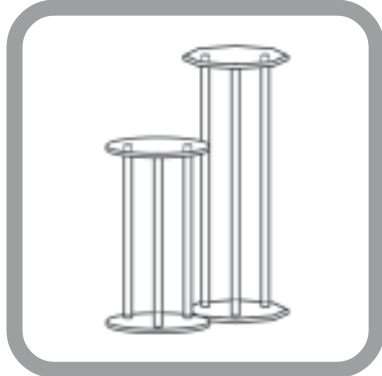


SILVER MIRROR STEP UNIT: AD00674

Type:	Size:
Dimensions	
AD 00674-01	3 steps 80mm Deep x 80mm High 400mm Wide (3 1/4" Deep 3 1/4" High 15 3/4" Wide) Manufactured in 3mm silver mirror
AD 00674-02	3 steps 50mm Deep x 50mm High 150mm Wide (2" Deep 2" High 6" Wide) Manufactured in 3mm silver mirror
AD 00674-03	2 steps 75mm Deep x 75mm High 150mm Wide (3" Deep 3" High 6" Wide) Manufactured in 3mm silver mirror

DISPLAY SUPPORTS: AD00670s

Type:	Size:		
	Dimensions		
AD00670-01	305mm High	(12" High Overall)	Octagonal top & bottom
AD00670-02	457mm High	(18" High Overall)	Octagonal top & bottom
AD00670-03	610mm High	(24" High Overall)	Octagonal top & bottom

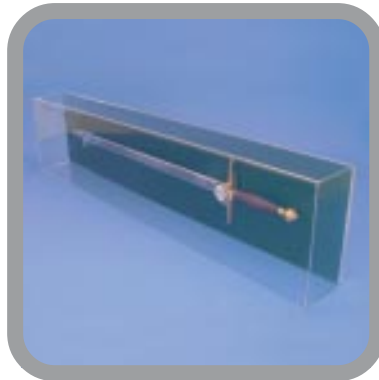


DISPLAY SUPPORTS: AD00671s

Type:	Size:		
	Dimensions		
AD00671-01	305mm High	(12" High Overall)	Circular top & bottom
AD00671-02	457mm High	(18" High Overall)	Circular top & bottom
AD00671-03	610mm High	(24" High Overall)	Circular top & bottom

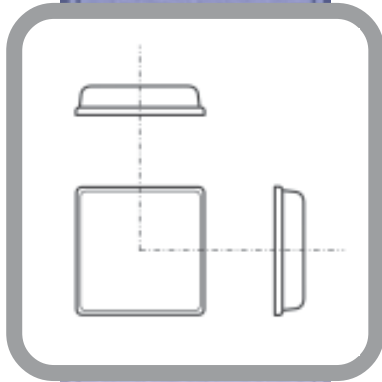
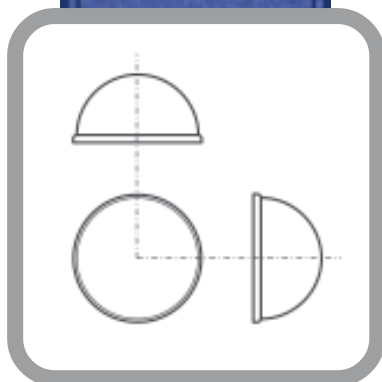


BESPOKE DISPLAY PROJECTS



Please refer to our internet site
www.acrylicdesign.co.uk
 for the latest designs and special offers.

Tel: 01923 241122
 Fax: 01923 241144

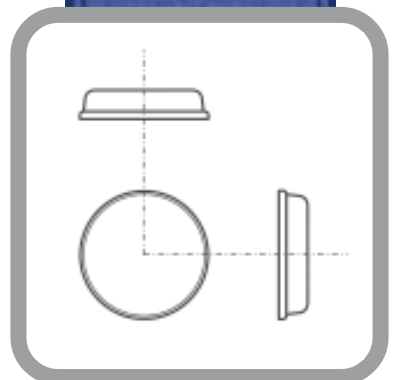
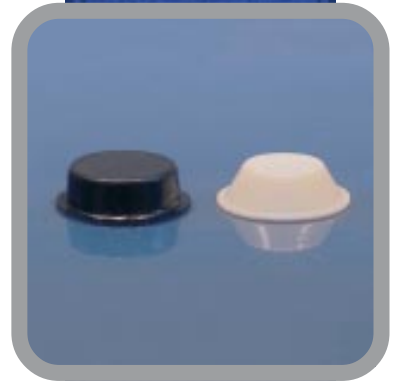


Bump On Feet: BS02000

Code:	Size:			
	Dimensions			
	Colour	Style	Dia	Height
BS02008-01	Clear	Dome Head	8mm	2.2mm
BS02079-01	Clear	Dome Head	7.9mm	2.5mm
BS02010-01	Clear	Dome Head	10mm	3.1mm
BS02010-02	Black	Dome Head	10mm	3.1mm
BS02010-03	White	Dome Head	10mm	3.1mm
BS02115-01	Clear	Dome Head	11.1mm	5mm
BS02115-02	Black	Dome Head	11.1mm	5mm
BS02150-01	Clear	Dome Head	16mm	7.9mm
BS02150-02	Black	Dome Head	16mm	7.9mm
BS02150-03	White	Dome Head	16mm	7.9mm
BS02190-01	Clear	Dome Head	19mm	9.5mm

Code:	Size:			
	Dimensions			
	Colour	Style	Dia	Height
BS02100-01	Clear	Square	10mm	2.5mm
BS02100-02	Black	Square	10mm	2.5mm
BS02127-01	Clear	Square	12.7mm	3.1mm
BS02127-02	Black	Square	12.7mm	3.1mm
BS02126-01	Clear	Square	12.6mm	5.7mm
BS02205-01	Clear	Square	20.5mm	7.5mm
BS02205-02	Black	Square	20.5mm	7.5mm

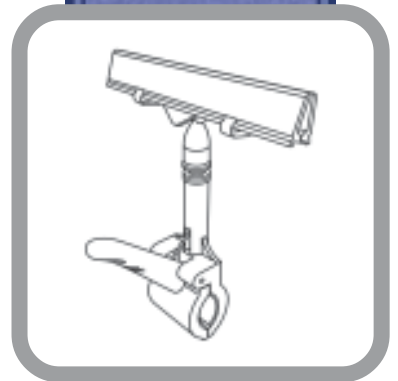
Code:	Size:			
	Dimensions			
	Colour	Style	Dia	Height
BS02075-01	Clear	Flat Round	7.5mm	3mm
BS02075-02	Black	Flat Round	7.5mm	3mm
BS02120-01	Clear	Flat Round	10.1mm	1.8mm
BS02120-02	Black	Flat Round	10.1mm	1.8mm
BS02122-01	Clear	Flat Round	12.7mm	1.8mm
BS02122-02	Black	Flat Round	12.7mm	1.8mm
BS02125-01	Clear	Flat Round	12.7mm	3.5mm
BS02125-02	Black	Flat Round	12.7mm	3.5mm
BS02014-01	Clear	Flat Round	14mm	4.5mm
BS02014-02	Black	Flat Round	14mm	4.5mm
BS02191-01	Clear	Flat Round	19mm	1.9mm
BS02191-02	Black	Flat Round	19mm	1.9mm



ADJUSTABLE CLIPS: AD06700

Type: CARD HOLDER

AD06700-01 A plastic card holder in white with a revolving spring top clip 150mm high and 110mm wide. The strong bottom clamp fits onto round, oval, flat and square tables up to 32mm thick.



ADJUSTABLE CLIPS: AD06701

Type: CARD HOLDER

AD06701-01 A clear plastic card holder 100mm high with a 80mm multi angle spring top clip. The rubber lined bottom clamp fits onto 32mm thick materials.



Tel: 01923 241122
Fax: 01923 241144



ADJUSTABLE CLIPS: AD06702

Type: CARD HOLDER

AD06702-01 A clear plastic card holder 95mm high with a 55mm multi angle push in top clip. The rubber lined bottom clamp fits onto 32mm thick materials.



ADJUSTABLE CLIPS: AD06703

Type: CARD HOLDER

AD06703-01 A clear plastic card holder 70mm high with a 55mm multi angle push in top clip. The rubber lined bottom clamp fits onto 9mm thick materials.



ADJUSTABLE CLIPS: AD06704

Type: CARD HOLDER

AD06704-01 A clear plastic card holder 65mm high with a 25mm multi angle push in top clip. The rubber lined bottom clamp fits onto 9mm thick materials.



ADJUSTABLE CLIPS: AD06705

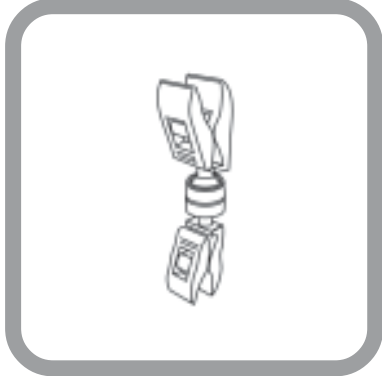
Type: DOUBLE ENDED CLIPS

AD06705-01 Two clear clips which open up to 9mm and are adjustable to any angle.

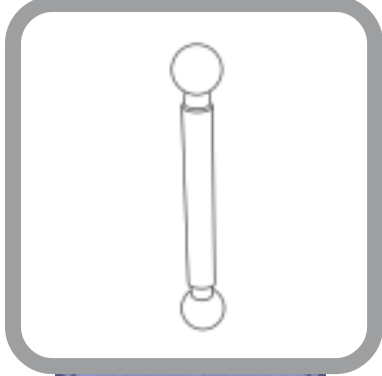
ADJUSTABLE CLIPS: AD06706	
Type: MINI CARD HOLDER	
AD06706-01	A clear plastic card holder 60mm high with a 25mm multi angle push in top clip. The rubber lined bottom clamp fits onto 6mm thick materials.



ADJUSTABLE CLIPS: AD06707	
Type: MINI DOUBLE ENDED CLIPS	
AD06707-01	Two mini clear clips which open up to 6mm and are adjustable to any angle.

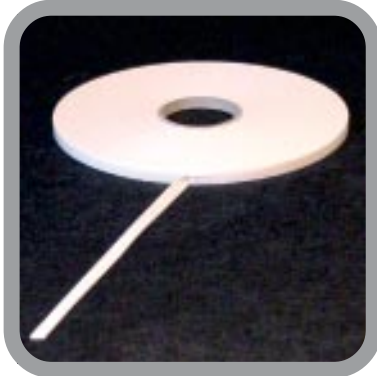
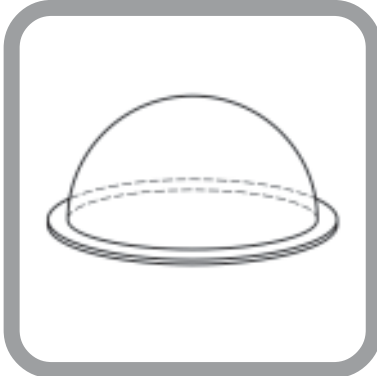


ADJUSTABLE CLIPS: AD06708	
Type: EXTENSION BARS for use with AD6701 / AD6702 / AD6703 / AD6704 / AD6705 / AD6706 / Ad 6707	
AD06708-01	Extension bar 55mm long.



ADJUSTABLE CLIPS: AD06709	
Type: UNIVERSAL CONNECTORS for use with AD6708	
AD06709-01	10mm white connector.





CLEAR ACRYLIC DOMES WITH FLANGES: AD00200

Type:	Size:			
	Dimensions			
	Diameter	Height	Flange	Material
AD 00200-01	100mm	50mm	20mm	2mm
AD 00200-02	150mm	75mm	20mm	2mm
AD 00200-03	200mm	100mm	20mm	3mm
AD 00200-04	250mm	125mm	20mm	3mm
AD 00200-05	300mm	150mm	20mm	3mm
AD 00200-06	350mm	175mm	20mm	3mm
AD 00200-07	400mm	200mm	20mm	3mm
AD 00200-08	450mm	225mm	20mm	3mm
AD 00200-09	500mm	250mm	25mm	3mm

Please refer to our website for a wider selection

LAZY SUE: LS001

Type:	Size:	
	Dimensions	
LS001-01	100mm Diameter	(4" Dia)
LS001-02	160mm Diameter	(6½" Dia)
LS001-03	215mm Diameter	(8½" Dia)

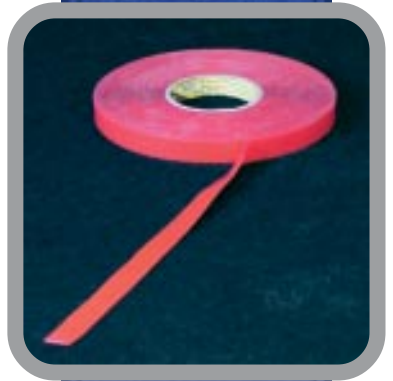
DOUBLE SIDED FOAM TAPE: ADTAP30

Type:	Size:	
	Dimensions	
ADTAP30-01	12mm Wide x 60metres in Length	Double Sided Foam Tape



CLEAR DOUBLE SIDED TAPE: ADTAP40

Type:	Size:	
	Dimensions	
		(POLYESTER)
ADTAP40-01	12mm Wide x 50metres in Length	Clear Double Sided Tape
ADTAP40-02	19mm Wide x 50metres in Length	Clear Double Sided Tape



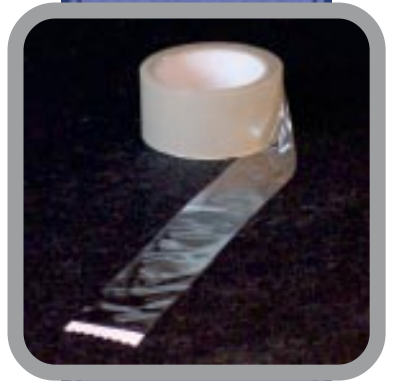
WHITE FRAGILE TAPE: ADTAP50

Type:	Size:	
	Dimensions	
ADTAP50-01	50mm Wide x 66metres in Length	White Fragile Tape



CLEAR TAPE: ADTAP20

Type:	Size:	
	Dimensions	
ADTAP20-01	50mm Wide x 66metres in Length	Clear Tape
ADTAP20-02	12mm Wide x 66metres in Length	Clear Tape



BROWN TAPE: ADTAP01

Type:	Size:	
	Dimensions	
ADTAP01-01	50mm Wide x 66metres in Length	Brown Tape



Tel: 01923 241122
 Fax: 01923 241144



MASKING TAPE: ADTAP60

Type:	Size:
	Dimensions
ADTAP60-01	19mm Wide x 50metres in Length Masking Tape
ADTAP60-02	25mm Wide x 50metres in Length Masking Tape



DOUBLE SIDED CLOTH TAPE: ADTAP80

Type:	Size:
	Dimensions
ADTAP80-01	25mm Wide x 50metres in Length Cloth Double Sided Tape



SELF ADHESIVE VELCRO TAPE: ADVEL10

Type:	Size:
	Dimensions
ADVEL10-01	20mm Wide x 25metres Length Black Hook Velcro
ADVEL10-02	20mm Wide x 25metres Length Black Loop Velcro
ADVEL10-03	20mm Wide x 25metres Length White Hook Velcro
ADVEL10-04	20mm Wide x 25metres Length White Loop Velcro



SELF ADHESIVE VELCRO DOTS: ADVEL20

Type:	Size:
	Dimensions
ADVEL20-01	20mm Dia Black Hook Velcro Dot 980 Dots Per Roll
ADVEL20-02	20mm Dia Black Loop Velcro Dot 980 Dots Per Roll
ADVEL20-03	20mm Dia White Hook Velcro Dot 980 Dots Per Roll
ADVEL20-04	20mm Dia White Loop Velcro Dot 980 Dots Per Roll

BUBBLE WRAP ROLL: ADBUB01

Type:	Size:
	Dimensions
ADBUB01-01	300mm Wide x 75metres in Length Small Bubble
ADBUB01-02	600mm Wide x 75metres in Length Small Bubble
ADBUB01-03	900mm Wide x 75metres in Length Small Bubble
ADBUB01-04	1200mm Wide x 75metres in Length Small Bubble
ADBUB01-05	1200mm Wide x 100metres in Length Small Bubble



CLEAR POLYTHENE BAGS: ADPB001

Type:	Size:
	Dimensions
ADPB001-01	102mm x 152mm (4" x 6") 120g Per 1000
ADPB001-02	178mm x 229mm (7" x 9") 120g Per 1000
ADPB001-03	254mm x 305mm (10" x 12") 120g Per 1000
ADPB001-04	305mm x 381mm (12" x 15") 120g Per 1000
ADPB001-05	305mm x 457mm (12" x 18") 120g Per 1000
ADPB001-06	381mm x 508mm (15" x 20") 120g Per 1000
ADPB001-07	457mm x 610mm (18" x 24") 120g Per 500



PLEASE REFER TO
OUR WEBSITE FOR A
WIDER SELECTION

GRIP SEAL POLYTHENE BAGS: ADGS001

Type:	Size:
	Dimensions (PLAIN)
ADGS001-01	57mm x 57mm (2¼" x 2¼") 200g Per 1000
ADGS001-02	76mm x 83mm (3" x 3¼") 200g Per 1000
ADGS001-03	89mm x 114mm (3½" x 4½") 200g Per 1000
ADGS001-04	102mm x 140mm (4" x 5½") 200g Per 1000
ADGS001-05	127mm x 191mm (5" x 7½") 200g Per 1000
ADGS001-06	152mm x 229mm (6" x 9") 200g Per 1000
ADGS001-07	203mm x 279mm (8" x 11") 200g Per 1000



Tel: 01923 241122
Fax: 01923 241144



RUBBER SUCKER: ADRS100

Type:	Size:	FLAT BUTTON
	Dimensions	
AD RS100-01	20mm Diameter	Clear
AD RS100-02	25mm Diameter	Clear
AD RS100-03	30mm Diameter	Clear
AD RS100-04	38mm Diameter	Clear
AD RS100-05	50mm Diameter	Clear



RUBBER SUCKER: ADRS200

Type:	Size:	METAL HOOKS
	Dimensions	
AD RS200-01	20mm Diameter Metal Hook	Clear
AD RS200-02	30mm Diameter Metal Hook	Clear
AD RS200-03	35mm Diameter Metal Hook	Clear
AD RS200-04	45mm Diameter Metal Hook	Clear
AD RS200-05	60mm Diameter Metal Hook	Clear



RUBBER SUCKER: ADRS300

Type:	Size:	PLASTIC HOOK
	Dimensions	
AD RS300-01	30mm Diameter Plastic Hook	Clear
AD RS300-02	40mm Diameter Plastic Hook	Clear
AD RS300-03	50mm Diameter Plastic Hook	Clear

RUBBER SUCKER: ADRS400			
Type:	Size:	HORIZONTAL HOLE	
	Dimensions		
AD RS400-01	20mm Diameter	Horizontal Hole	Clear
AD RS400-02	30mm Diameter	Horizontal Hole	Clear
AD RS400-03	40mm Diameter	Horizontal Hole	Clear
AD RS400-04	50mm Diameter	Horizontal Hole	Clear



RUBBER SUCKER: ADRS500			
Type:	Size:	DOUBLE SIDED	
	Dimensions		
AD RS500-01	20mm Diameter	Double Sided	Clear



RUBBER SUCKER: ADRS600			
Type:	Size:	WITH PIN	
	Dimensions		
AD RS600-01	40mm Diameter	With Pin	Clear





ANTI-STATIC CLEANING FLUID: CL00001s		
Type:	Size:	
	Description	
CL00001-01	Anti-Static Cleaning Fluid	1 Lt Container
CL00001-02	Anti-Static Cleaning Fluid	½ Lt Container

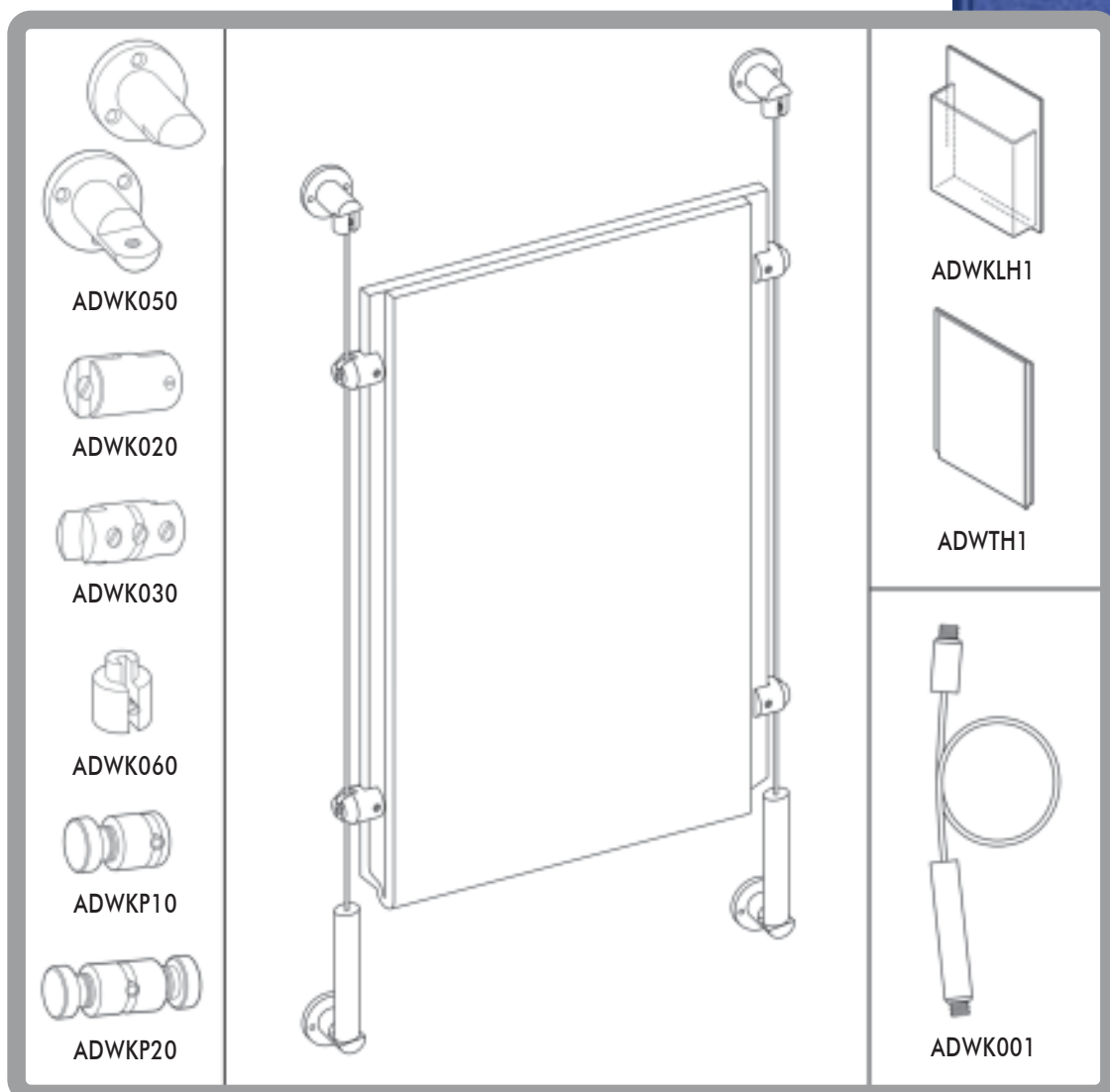


CLEANING WIPES: CL00002s		
Type:	Size:	
	Description	
CL00002-01	Cleaning Wipes	20 Per Pack

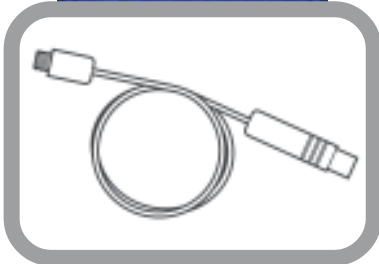


ADHESIVE: ADPK001		
Type:	Size:	
	Description	
ADPK001-01	Acrylic Adhesive	500ml Bottle

SUSPENDED CABLE DISPLAY SYSTEM



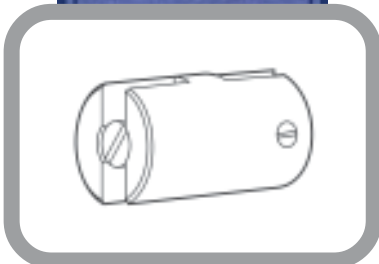
SUSPENDED CABLE DISPLAY SYSTEM INDIVIDUAL COMPONENTS



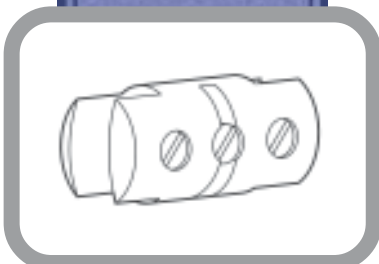
CABLE DISPLAY FIXING: ADWK001		
Type:	Dimensions	Satin Chrome
ADWK001-01	Wire Cable Kit	4Metre Length



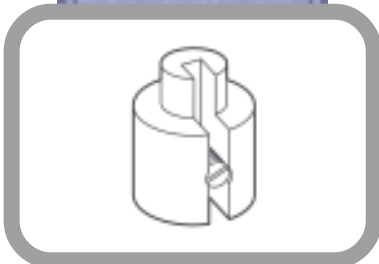
CABLE DISPLAY FIXING: ADWK050		
Type:	Dimensions	Satin Chrome
ADWK050-01	Wall Bracket	Holds Cables 30mm Away From Wall



CABLE DISPLAY FIXING: ADWK020		
Type:	Dimensions	Satin Chrome
ADWK020-01	Vertical Clips	Will Take Up To 6mm Material Thickness



CABLE DISPLAY FIXING: ADWK025		
Type:	Dimensions	Satin Chrome
ADWK025-01	Midi Vertical Clips	Will Take Up To 3mm Material Thickness



CABLE DISPLAY FIXING: ADWK030		
Type:	Dimensions	Satin Chrome
ADWK030-01	Double Sided Vertical Clips	Will Take Up To 6mm Material Thickness

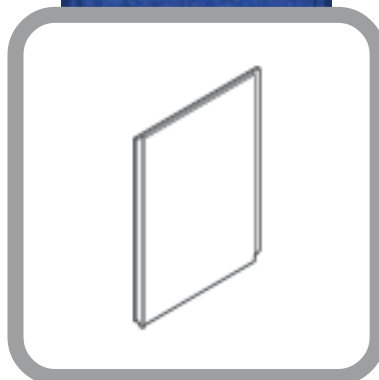
E-mail: sales@acrylicdesign.co.uk
 Web: www.acrylicdesign.co.uk

CABLE DISPLAY FIXING: ADWK035		
Type:	Dimensions	Satin Chrome
ADWK035-01	Midi Double Sided Vertical Clips	Will Take Up To 3mm Material Thickness

CABLE DISPLAY FIXING: ADWK060		
Type:	Dimensions	Satin Chrome
ADWK060-01	15mm Dia x 21mm High	Shelf Support

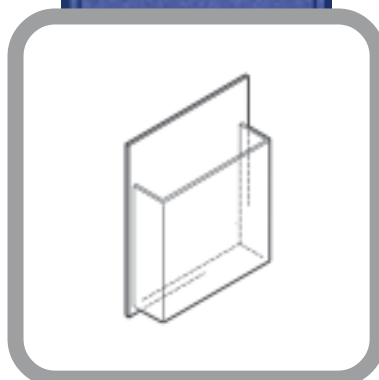
CABLE DISPLAY FIXING: ADWTH1

Type:	Dimensions		
ADWTH1-01	A4 (P)	Acrylic	Clear
ADWTH1-02	A4 (L)	Acrylic	Clear
ADWTH1-03	A5 (P)	Acrylic	Clear
ADWTH1-04	A5 (L)	Acrylic	Clear
ADWTH1-05	A3 (P) Supplied With Top Retaining Rings	Acrylic	Clear
ADWTH1-06	A3 (P) Supplied With Top Retaining Rings	Acrylic	Clear



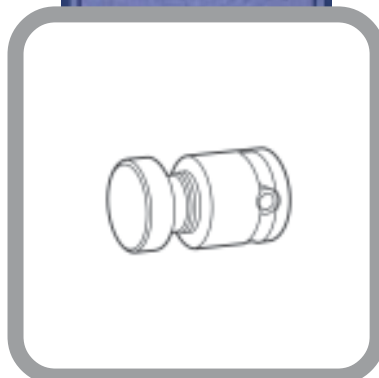
CABLE DISPLAY FIXING: ADWLH1

Type:	Dimensions		
ADWLH1-01	A4 Leaflet Holder	Acrylic	Clear
ADWLH1-02	A5 Leaflet Holder (P)	Acrylic	Clear
ADWLH1-03	A5 Leaflet Holder (L)	Acrylic	Clear
ADWLH1-04	1/3 A4 Single Leaflet Holder (P)	Acrylic	Clear
ADWLH1-05	1/3 A4 Single Leaflet Holder (L)	Acrylic	Clear
ADWLH1-06	1/3 A4 Double Leaflet Holder (P)	Acrylic	Clear



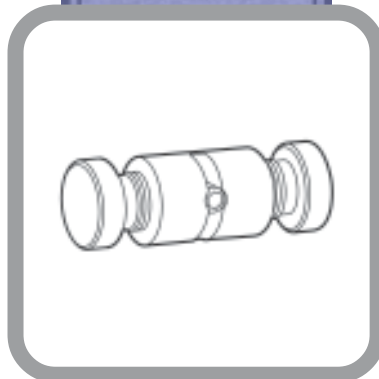
CABLE DISPLAY FIXING: ADWKP10

Type:	Dimensions	Satin Chrome
ADWKP10-01	Single Sided Wire Mounting Stud	



CABLE DISPLAY FIXING: ADWKP20

Type:	Dimensions	Satin Chrome
ADWKP20-01	Double Sided Wire Mounting Stud	





PANEL SPACERS: ADPS010

Type:	Size:		
	Dimensions		Material
ADPS010-01	25mm x 19mm Dia	Satin Chrome	Brass



PANEL SPACERS: ADPS500

Type:	Size:		
	Dimensions		Material
ADPS500-01	25mm Deep x 20mm Dia	Satin Chrome	Aluminium
ADPS500-02	25mm Deep x 20mm Dia	Satin Brass	Aluminium
ADPS500-03	25mm Deep x 20mm Dia	Satin Black	Aluminium



PANEL SPACERS: ADPS250

Type:	Size:		
	Dimensions		Material
ADPS250-01	15mm Deep x 12mm Dia	Satin Chrome	Aluminium
ADPS250-02	15mm Deep x 12mm Dia	Satin Brass	Aluminium
ADPS250-03	15mm Deep x 12mm Dia	Satin Black	Aluminium





WINDOW DISPLAY BOARDS SINGLE SIDED PLAIN NO GRAPHICS: ADWP001

Type:	Size:	
	Layout	Holder Size
ADWP001-01	2 x 2 (SQ)	A4(P)
ADWP001-02	2 x 3 (P)	A4(P)
ADWP001-03	3 x 3 (SQ)	A4(P)
ADWP001-04	4 x 3 (P)	A4(P)
ADWP001-05	4 x 4 (SQ)	A4(P)



WINDOW DISPLAY BOARDS SINGLE SIDED PLAIN NO GRAPHICS: ADWP002

Type:	Size:	
	Layout	Holder Size
ADWP002-01	2 x 2 (SQ)	A4(P)
ADWP002-02	2 x 3 (P)	A4(P)
ADWP002-03	3 x 3 (SQ)	A4(P)
ADWP002-04	4 x 3 (P)	A4(P)
ADWP002-05	4 x 4 (SQ)	A4(P)



WINDOW DISPLAY BOARDS SINGLE SIDED PLAIN NO GRAPHICS: ADWP003

Type:	Size:	
	Layout	Holder Size
ADWP003-01	2 x 2 (SQ)	A4(P)
ADWP003-02	2 x 3 (P)	A4(P)
ADWP003-03	3 x 3 (SQ)	A4(P)
ADWP003-04	4 x 3 (P)	A4(P)
ADWP003-05	4 x 4 (SQ)	A4(P)



DIFFERENT PANEL DESIGNS, LAYOUTS AND HOLDER SIZES ARE LISTED ON OUR INTERNET SITE.
IF YOU REQUIRE OUR DESIGNS AND LAYOUTS PLEASE CONTACT THE SALES OFFICE.
GRAPHICS AND LOGOS ARE QUOTED SUBJECT TO SIZE OF ARTWORK.

Tel: 01923 241122
Fax: 01923 241144

ENGRAVING SERVICE

- Plaques • Signs • Badges •
- Number Blocks •
- Acrylic Letter Cutting •
- Vinyl Text • Vinyl Graphics •
- Banners • Screen Printing •



For more information please visit our website

PLEASE REFER TO
OUR WEBSITE FOR A
WIDER SELECTION

DIFFERENT TYPES OF SIGNAGE



TECHNICAL INFORMATION AND CONVERSION TABLE

GLOSSARY

Acrylic

A high quality material manufactured in Cast or Extruded in a range of thickness and colour. Clear version is crystal clear. PERSPEX - PLEXIGLAS - ALTUGLAS - REPSOL are all trade makes of ACRYLIC materials. Available in different Surface Finishes.

PVC

A very flexible plastic which is shatterproof but is not very rigid. PVC is not as clear as styrene or acrylic.

Styrene

A plastic which is more rigid than PVC and is less brittle than acrylic. Styrene cannot be flame polished.

Diamond Polishing

A mechanical polishing process using Diamond tip cutters to give a sharp clean polished edge finish. In either the traditional Clear Glass or a smooth Matt finish.

Flame Polishing

Heating the edge of the plastic so as to remove any unwanted marks. Leaving a polished surface.

Fabrication

Bending, cutting and hand assembling.

Laser Cutting

Ideal for Cutting Shapes in Acrylic Material with a thickness up to 30mm from a sheet 2000mm x 3000mm. Computer generated CAD files in DWG or DXF can be imported into the system for cutting.

Vacuum Forming

Plastic is heated and allowed to form over metal or wood to take its shape. A less accurate process and less expensive. Suitable for smaller runs.

Heat Bending

Folding or bending in a straight line by heating the material until soft so that it can be bent to form the angle required. The maximum length that can be moulded is 3000mm long.

Injection Moulding

Plastic is liquified and injected into a mould. The mould is commonly made of metal, precisely engineered and very expensive to make.

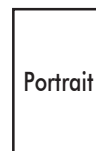
Landscape

Width longer than height.

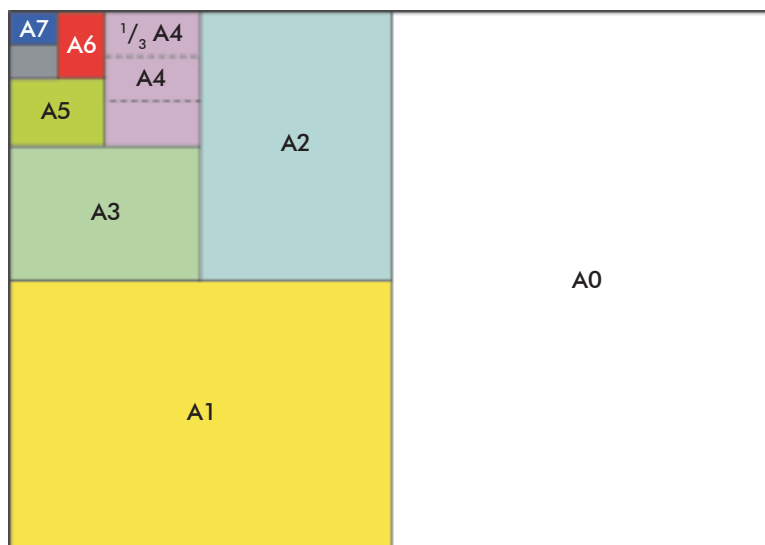


Portrait

Height longer than width.



SIZE CHART



Sizes

A7
A6
A5
1/3 A4
A4
A3
A2
A1
A0

20" x 30"
30" x 40"
40" x 60"

Millimetres

74mm x 105mm
105mm x 148mm
148mm x 210mm
99mm x 210mm
210mm x 297mm
297mm x 420mm
420mm x 594mm
594mm x 841mm
841mm x 1189mm

508mm x 762mm
762mm x 1016mm
1016mm x 1524mm

Conversion Table

Feet - Metres: 0.3048

Inches - Millimetres: 25.4

Inches - Centimetres: 2.54

To convert to metric, multiply.

To convert from metric, divide.

NOTES

CONDITIONS OF SALE

1) INTERPRETATION.

1.1 In these Conditions "Buyer" means the person who accepts a quotation of the Seller for the sale of goods or whose order for the goods is accepted by the Seller "Goods" means the goods (including any instalment of the goods or any parts of them) which the Seller is to supply in accordance with these Conditions. "Seller" means ACRYLIC DESIGN UK Limited, 3A/3B Shakespeare Industrial Estate, Shakespeare Street, Watford, Hertfordshire, WD2 5HD. "Conditions" means the standard terms and conditions of sale set out in this document "Contract" means the contract for the purchase and sale of the Goods.

1.2 The Headings in these conditions are for the convenience only and shall not affect their interpretation.

2) BASIS OF SALE.

2.1 The Seller shall sell and the Buyer shall purchase the goods in accordance with any written quotation of the Seller which is accepted by the Buyer, or any written order of the Buyer which is accepted by the Seller, subject in either case to these conditions, which shall govern the Contract to the exclusion of any other terms and conditions subject to which any such quotation is accepted or purported to be accepted, or any such order is made or purported to be made, by the Buyer.

2.2 No Variation to these Conditions shall be binding unless agreed in writing between the authorised representatives of the Buyer and the Seller.

2.3 The Sellers employees or agents are not authorised to make representations concerning the goods unless confirmed by the Seller in writing. In entering into the Contract the Buyer acknowledges that it does not rely on, and waives any claim for breach of, any such representations which are not so confirmed.

2.4 Any advice or recommendation given by the Seller or its employees or agents to the Buyer or its employees or agents as to the storage, application or use of the goods is followed or acted upon entirely at the Buyer's own risk.

2.5 Any typographical or other error or omission in any sales literature, quotation, invoice or other document issued by the Seller shall be subject to correction without any liability on its part.

3) ORDERS AND SPECIFICATIONS.

3.1 No order shall be deemed to be accepted by the Seller unless and until confirmed in writing.

3.2 The Buyer shall be responsible to the Seller for ensuring the accuracy of the terms of any order (including any applicable specification) submitted by the Buyer, and for giving the Seller any necessary information relating to the Goods within a sufficient time to enable the Seller to complete the contract in accordance with its terms.

3.3 The Quantity, quality and description of any specification for the goods shall be those set out in the Seller's quotation (if accepted by the Buyer) or the Buyer's order (if accepted by the Seller).

3.4 If the Goods are to be manufactured or any process is to be applied to the goods by the Seller in accordance with a design or specification submitted by the Buyer, the Buyer shall indemnify the Seller against all, losses, damages, costs and expenses awarded against or incurred by the Seller in connection with or paid or agreed to be paid by the Seller in settlement of any claim for infringement of any patent, copyright, design, trade mark or other industrial or intellectual property rights of any other person which results from the Seller's use of the Buyer's design or specification.

3.5 The Seller reserves the right to make any changes in the specification of the goods to conform with any applicable safety or other requirement or, where the Goods are to be supplied to the Seller's specification which do not materially affect their quality or performance.

3.6 No Contract may be cancelled by the Buyer except with the written agreement of the Seller and on the terms that the Buyer shall indemnify the Seller in full against all loss (including loss of profit), costs (including the cost of all labour and materials used,) damages, charges and expenses incurred by the Seller as a result of cancellation.

4) SAMPLES.

4.1 The Seller supplies samples to the Buyer then the relevant Goods supplied by the Seller will be based upon such samples as regards colour and size although colour shall be subject to reasonable variation without liability on the part of the Seller. Any variation subsequently required by the Buyer shall be subject of negotiation between the parties and confirmed in writing.

5) PRICES OF THE GOODS.

5.1 The price of the Goods shall be the Seller's quoted price. All prices quoted are valid for the stipulated quantity (and no other) and for 30 days only or until earlier withdrawal by the Seller or acceptance by the Buyer. After such period of 30 days confirmation of quoted prices and delivery times or a further quotation must be obtained from the Seller.

5.2 The Seller reserves the right, by giving notice to the Buyer at any time before delivery, to increase the price of the Goods to reflect any increase in the cost to the Seller which is due to any factor beyond the control of the Seller. Any change in delivery dates, quantities or specifications for the Goods which is requested by the Buyer, or any delay caused by any instructions of the Buyer or Failure of the Buyer to give the Seller adequate information or instructions.

5.3 The price is exclusive of any applicable value added tax, for which the Buyer shall be additionally liable.

6) TERMS OF PAYMENT.

6.1 The Seller shall be entitled to require payment of the price of the Goods with the Buyer's order.

6.2 Subject to clause 6.1

6.2.1 The Seller shall be entitled to invoice the Buyer for the price of the goods on or at any time after delivery of the Goods, unless the Buyer wrongfully fails to take delivery of the goods, in which event the Seller shall be entitled to invoice the Buyer for the price at any time after the Seller has tendered delivery of the Goods.

6.2.2 If the Buyer has a Credit Arrangement with the Seller the Buyer shall pay the price of the goods (with out deduction or set off) by the end of the calendar month following the month of the Seller's invoice. Notwithstanding that delivery may not have taken place and the property in the Goods has not passed to the Buyer. Otherwise payment is due on or before Delivery subject to terms laid out in a proforma invoice.

6.3 The time of payment of the price shall be of the essence of the Contract.

6.4 If the Buyer fails to make any payment on the due date then, without prejudice to any other right or remedy available to the Seller, the Seller shall be entitled to cancel the Contract or suspend any further deliveries to the Buyer and/or charge the Buyer interest (both before and after any judgment) on the amount unpaid, at the rate of 5 per cent per annum above Barclays Bank PLC base rate from time to time, until payment is made in full.

7) TOOLING

7.1 The property in any tooling charged to the Buyer shall pass to the Buyer when the Seller has received in cash or cleared funds the full sum due in respect of such tooling.

7.2 Despite the fact that the property in any tooling may have passed to the Buyer, the Seller shall be entitled to retain such tooling for the period of one year from the date the Buyer makes the final payment in respect of it. Thereafter the Buyer shall be entitled to collect that tooling but the Seller shall have no obligation to deliver it to the Buyer other than making it available for collection.

7.3 Notwithstanding clause 7.2 risk in the tooling shall pass to the Buyer as soon as the tooling has been manufactured and the Seller shall have no liability in respect of loss or damage to the tooling whilst in the Sellers possession save to the extent that the same results from the Sellers negligence.

7.4 The Seller shall have no liability whatsoever in respect of tooling (including as to defects in manufacture) once it has been collected by the Buyer.

7.5 Any dimensions stipulated by the Buyer for the goods shall be observed as adversely as possible but the Seller shall not be liable for any alteration in or deviation from such dimensions which do not adversely affect the Goods to a material extent having regard to the use notified to the Seller for which they are intended prior to the date of the contract under which the Seller is to manufacture the tooling therefore.

7.6 The Seller shall be entitled to require payment of the price of any tooling charged to the Buyer with the Buyer's order.

7.7 Subject to clause 7.6 the Buyer shall pay one third of the price of any tooling charged to the Buyer at the time of the order.

7.8 The Seller shall be entitled to invoice the Buyer for the remainder of the price of any tooling as follows:

7.8.1 One third upon the Seller sending samples produced using that tooling to the Buyer:

7.8.2 One third 30 days thereafter the provisions of clauses 6.2.2 6.3 and 6.4 shall apply to the payment of such invoices.

8) DELIVERY

8.1 Unless otherwise agreed Goods will be sent to the Buyer by a three day delivery service chosen by the Seller in which case delivery of the Goods shall be effected by the Seller delivering them to the carrier. Thereafter transport of such Goods shall be subject to the carrier's conditions.

8.2 The Buyer shall be responsible for any delivery costs unless agreed in writing and where such costs are initially paid by the Seller the Seller shall forthwith be entitled to render an invoice in respect of such costs and the provisions of clauses 6.2.2.6.3 and 6.4 shall apply to payment of such invoice.

8.3 If it is agreed that the Goods shall be delivered by a method other than that referred to in clause 8.1 then delivery shall be effected:

8.3.1 Where the goods are to be collected by the Buyer from the Seller's premises, upon the Seller notifying the Buyer that the Goods are ready for collection, A Packing charge may be applied to the invoice if applicable.

8.3.2 Where the Goods are delivered by the Seller, the Seller delivering the Goods to the address for delivery:

8.3.3 Where the Goods are to be transported by a third party upon collection by or delivery to that third party of the Goods.

8.4 Any periods of time or dates quoted for delivery of the Goods are approximate only and the Seller shall not be liable for any delay in delivery of the Goods howsoever caused. Time for delivery shall not be of the essence.

8.5 The Seller reserves the right to deliver up to Ten percent more or Ten percent less than the quantity ordered with an

appropriate adjustment in the price, and the quantity so delivered shall be deemed to be the quantity ordered.

8.6 Where the goods are to be delivered in instalments, each delivery shall constitute a separate contract and in respect of any one or more instalment any failure by the Seller to deliver or any claim by the Buyer shall not entitle the Buyer to treat the contract as a whole as repudiated. The total quantity of Goods ordered by the Buyer must be taken by the Buyer within 12 months of delivery of the first instalment.

8.7 If the Seller fails to deliver the Goods for any reason other than any cause beyond the Seller's reasonable control or the Buyer's fault, and the Seller is accordingly liable to the Buyer, The Seller's liability shall be limited to the return of any payments made and the cancelling of the Contract.

8.8 If the Buyer fails to take delivery of the Goods or fails to give the Seller adequate delivery instructions at the time stated for delivery (otherwise than by reason of any cause beyond the Buyer's reasonable control or by reason of the Seller's fault) then without prejudice to any other right or remedy available to the Seller, the Seller may:

8.8.1 Store the Goods until actual delivery and charge the Buyer for the reasonable costs (including insurance) of storage;

8.8.2 Sell the Goods at the best price readily obtainable and (after deducting all reasonable storage and selling expenses) account to the Buyer for the excess over the price under the contract or charge the Buyer for any shortfall below the price under the Contract.

8.9 Where upon delivery of the goods, the Buyer discovers that it has incorrectly ordered the Goods, a handling charge of 15% will be charged if the Seller agrees to accept return of those Goods. Without prejudice to the right of the Seller to refuse to accept return of goods in any case the Seller will not accept return of Goods if more than 2 months have elapsed since they were delivered to the Buyer.

9) RISK AND PROPERTY

9.1 Goods supplied by the Seller shall be at the Buyers risk immediately on delivery and the Buyer shall insure accordingly.

9.2 Notwithstanding delivery and the passing of risk in the goods, or any other provision of these conditions, title in all Goods supplied or sold by the Seller shall be retained by the Seller until all sums due on any account whatsoever from the Buyer to the Seller have been received by the Seller either in cash or cleared funds.

9.3 Until such time as the property in the Goods passes to the Buyer, the Seller shall be entitled at any time to require the Buyer to deliver up the Goods to the Seller and, if the Buyer fails to do so forthwith, to enter upon any premises of the Buyer or any third party where the Goods are stored and repossess the Goods.

10) WARRANTIES AND LIABILITY

10.1 Seller warrants that the Goods shall at the time of delivery be free from defects in materials and workmanship. If any Goods do not conform to that warranty the Seller shall at its option:

10.1.1 Replace the Goods found not to conform to the above warranty;

10.1.2 Take back the Goods found not to conform to the warranty and refund the appropriate part of the purchase price provided that the liability of the Seller shall in no event exceed the purchase price of the Goods.

Any of the above options shall constitute an entire discharge of Seller's liability under this warranty.

10.2 The above warranty is given by the Seller subject to the following conditions:

10.2.1 The Seller shall be under no liability in respect of a defect arising from any drawing, design or specification supplied by the Buyer.

10.2.2 The Seller shall be under no liability in respect of any defect arising from fair wear and tear wilful damage, negligence, abnormal working conditions, failure to follow the Seller's instructions (whether oral or in writing) misuse or alteration or repair of the Goods without the Seller's approval.

10.2.3 The Seller shall be under no liability under the above warranty (or any other warranty condition or guarantee) if the total price for the Goods has not been paid by the due date for payment.

10.2.4 The above warranty does not extend to parts, materials or equipment not manufactured by the Seller in respect of which the Buyer shall only be entitled to the benefit of any such warranty or guarantee as is given by the manufacturer to the Seller.

10.2.5 The Buyer notifying the Seller of the defects within 7 days of the delivery of the Goods.

10.2.6 Any packaging and damaged items must be saved for inspection, contact the sales office for advice on the return of the Goods

10.3 Subject as expressly provided in these conditions and except where the Goods are sold to a person dealing as a consumer, all warranties, conditions or other terms implied by statute or common law are excluded to the fullest extent permitted by law.

10.4 Where the Goods are sold under a consumer transaction, the statutory rights of the Buyer are not affected by these conditions.

10.5 Any claim by the Buyer under the warranty set out in clause 10.1 shall be notified to the Seller within 7 days from the date of delivery. If delivery is not refused, and the Buyer does not notify the Seller accordingly, the Buyer shall not be entitled to reject Goods and the Seller shall have no liability for such defect or failure, and the Buyer shall be bound to pay the price as if the Goods have been delivered in accordance with the contract. The Seller shall have no liability whatsoever in respect of breakages or resultant defects occurring after delivery.

10.6 Except in respect of death or personal injury caused by the Seller's negligence the Seller shall not be liable to the Buyer by reason of any representation, or any implied warranty, condition or other term, or any duty at common law, or under the express terms of the contract for any consequential loss or damage (whether for loss of profit or otherwise) costs, expenses or other claims for consequential compensation whatsoever (and whether caused by the negligence of the Seller, its employees or agents or otherwise) which arise out of or in connection with the supply of the Goods or their use or resale by the Buyer, except as expressly provided in these conditions.

10.7 The Seller shall not be liable to the Buyer or be deemed to be in breach of the contract by reason of any delay in performing, or any failure to perform, any of the Seller's obligations in relation to the Goods, if the delay or failure was due to any cause beyond the Seller's reasonable control ("Force Majeure"). The time for performance shall be extended for the period of the Force Majeure but the Seller may, at any time during such period, terminate this contract by immediate notice, without liability to the Buyer.

10.8 The Buyer shall indemnify the Seller against all loss, damages, costs and expenses awarded against or incurred by the Seller in connection with or paid or agreed to be paid by the Seller in settlement of any claim brought by a third party in respect of loss, injury or damage sustained after receipt of the Goods by the Buyer.

11) INSOLVENCY OF BUYER

11.1 This clause applies if the Buyer makes any voluntary arrangement with its creditors or becomes subject to an administration order or (being an individual or firm) becomes bankrupt or (being a company) goes into liquidation (otherwise than for the purposes of amalgamation or reconstruction or an encumbrancer takes possession, or a receiver is appointed, for any of the property or assets of the Buyer: or the Buyer ceases, or threatens to cease, to carry on business: or the Seller reasonably apprehends that any of the events mentioned above is about to occur in relation to the Buyer and notifies the Buyer accordingly.

11.2 If this clause applies then, without prejudice to any other right or remedy available to the Seller, the Seller shall be entitled to cancel the Contract or suspend any further deliveries under the Contract without any liability to the Buyer and if the goods have been delivered but not paid for the price shall become immediately due and payable notwithstanding any previous agreement or arrangement to the contrary.

12) EXPORT TERMS

12.1 Where the Goods are supplied for export from the United Kingdom and the provisions of this clause shall (subject to any special terms agreed in writing between the Buyer and the Seller) apply notwithstanding any other provisions of these conditions.

12.2 The Buyer shall be responsible for complying with any legislation or regulations governing the export of the Goods from the United Kingdom including, if necessary, satisfying Customs & Excise that Value Added Tax is not payable on the price) and the importation of the Goods into the country of destination and for the payment of any duties thereon.

12.3 Unless otherwise agreed the transport of the Goods to the Buyer from the Seller's premises shall be arranged by the Seller at the Buyer's cost. Where such cost is initially paid by the Seller, the Seller shall forthwith be entitled to render an invoice in respect of such costs and the provisions of clauses 6.2.2 6.3 and 6.4 shall apply to the payment of such invoice. Delivery of the Goods shall be effected when they are collected by the carrier from the Seller's premises, thereafter transport of such Goods shall be subject to the carrier's conditions.

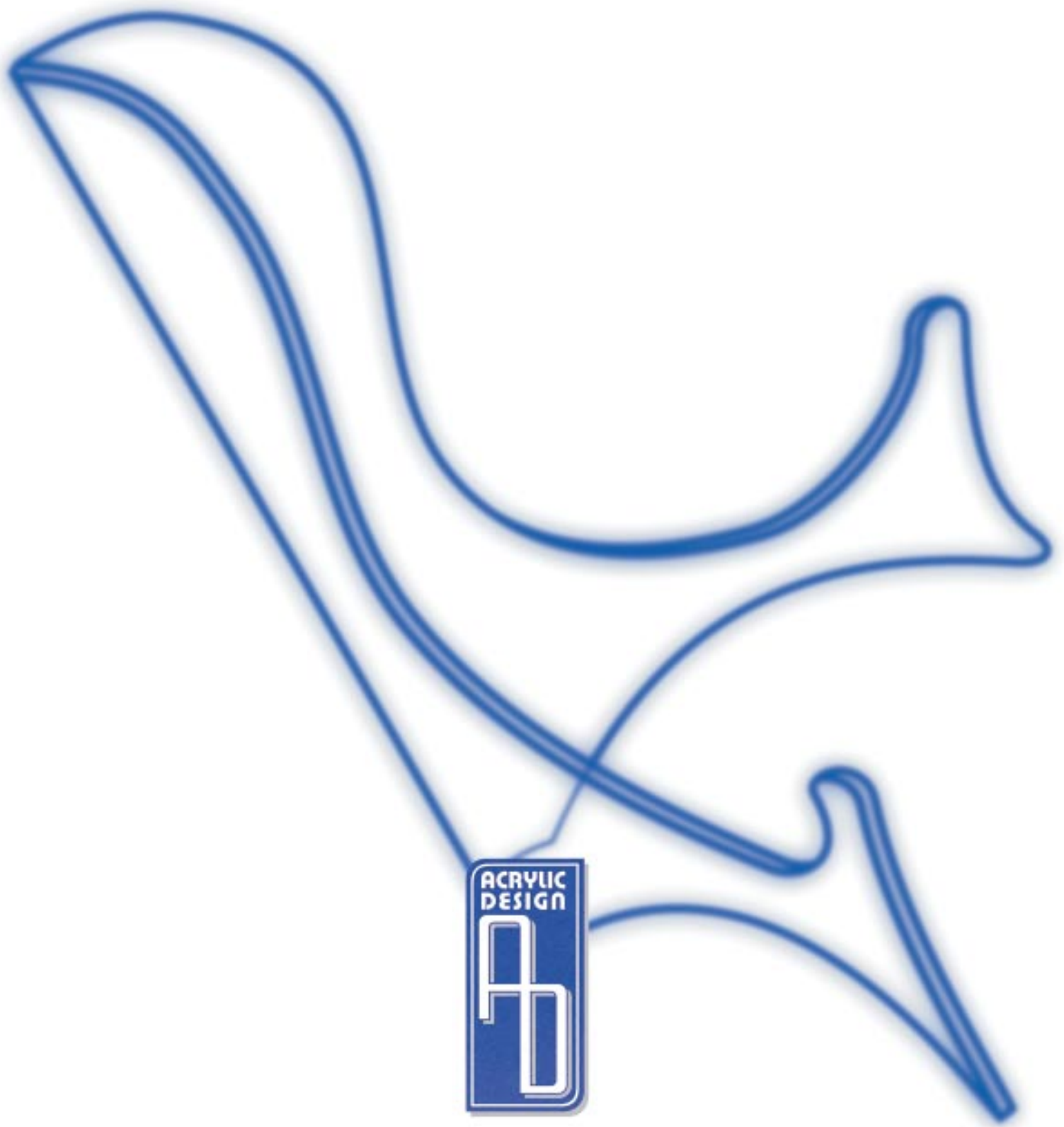
13) GENERAL

13.1 Any notice shall be in writing addressed to the other party at its registered office or such other address as may at the relevant time have been notified to the party giving the notice. Hand delivered notices shall take effect immediately and postal notices, two working days after posting.

13.2 No waiver by the Seller of any breach of the contract by the Buyer shall be considered as a waiver of any subsequent breach of the same or any other provision.

13.3 If any provision of these conditions is held by any competent authority to be invalid or unenforceable in whole or in part the validity of the other provisions of these conditions and the remainder of the provision in question shall not be affected thereby.

13.4 The contract shall be governed by the laws of England. Any dispute shall be referred to the exclusive jurisdiction of the English Courts.



ACRYLIC DESIGN UK LTD

3A / 3B Shakespeare Industrial Estate,
Shakespeare Street, Watford,
Hertfordshire, WD24 5RS

Tel: 01923 241122

Fax: 01923 241144

E-Mail sales@acrylicdesign.co.uk

Website: www.acrylicdesign.co.uk